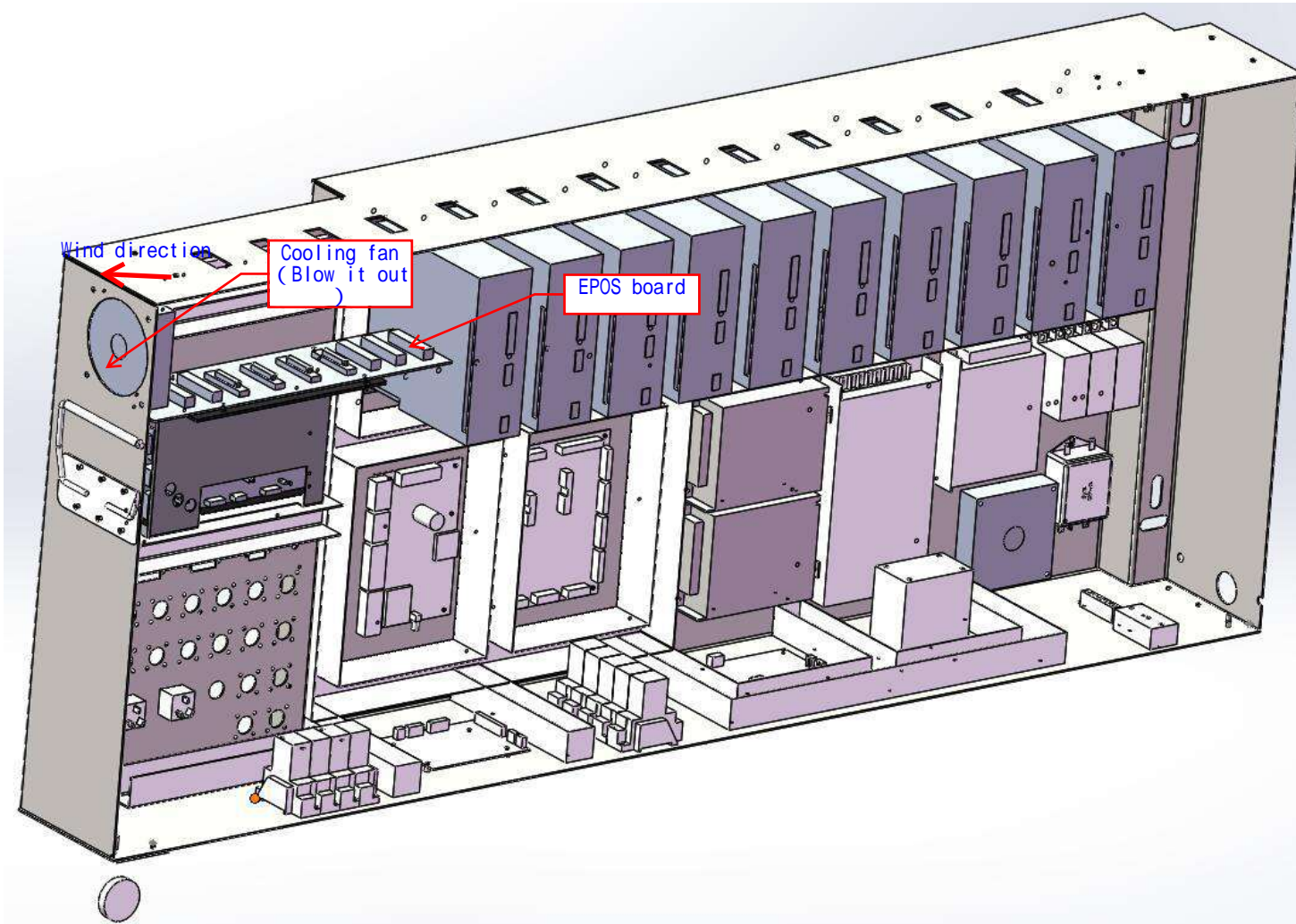
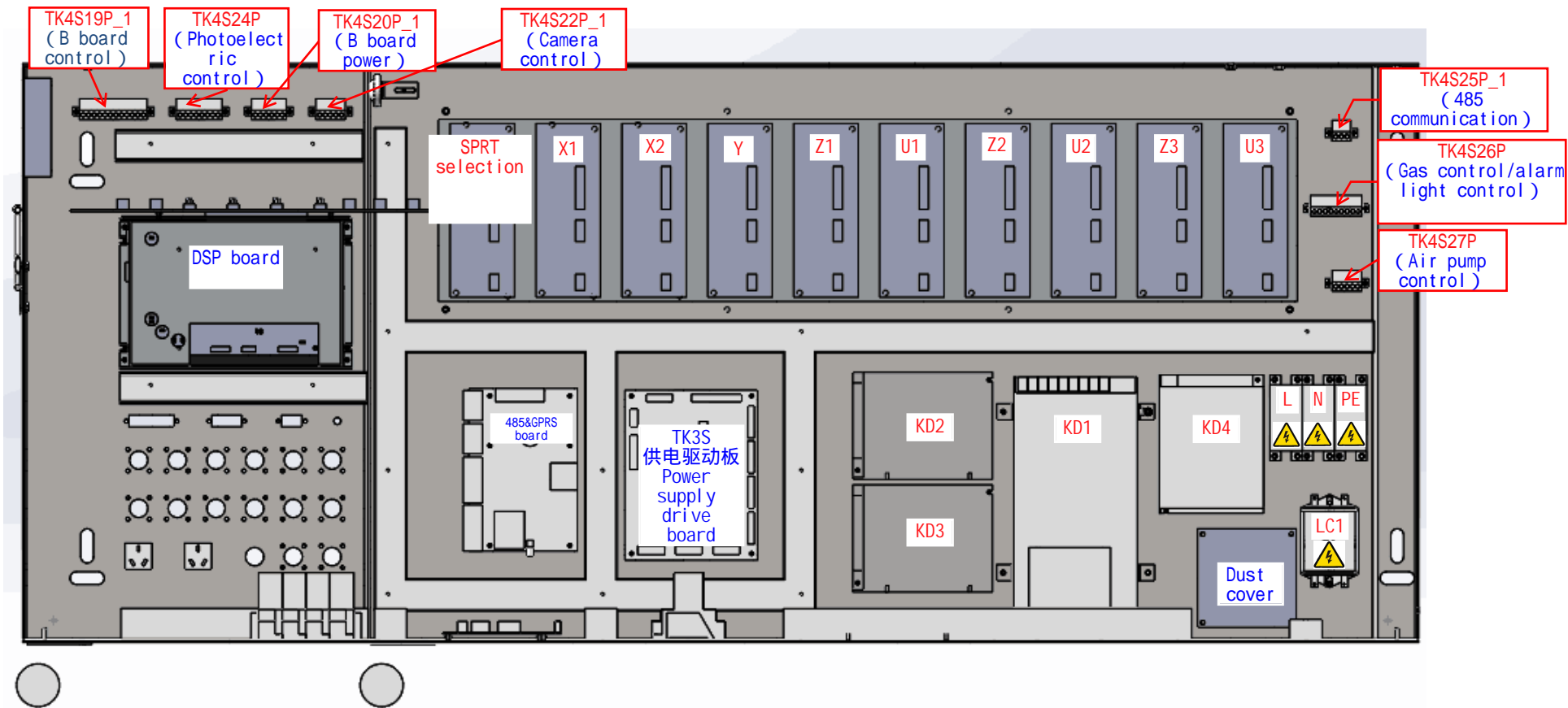
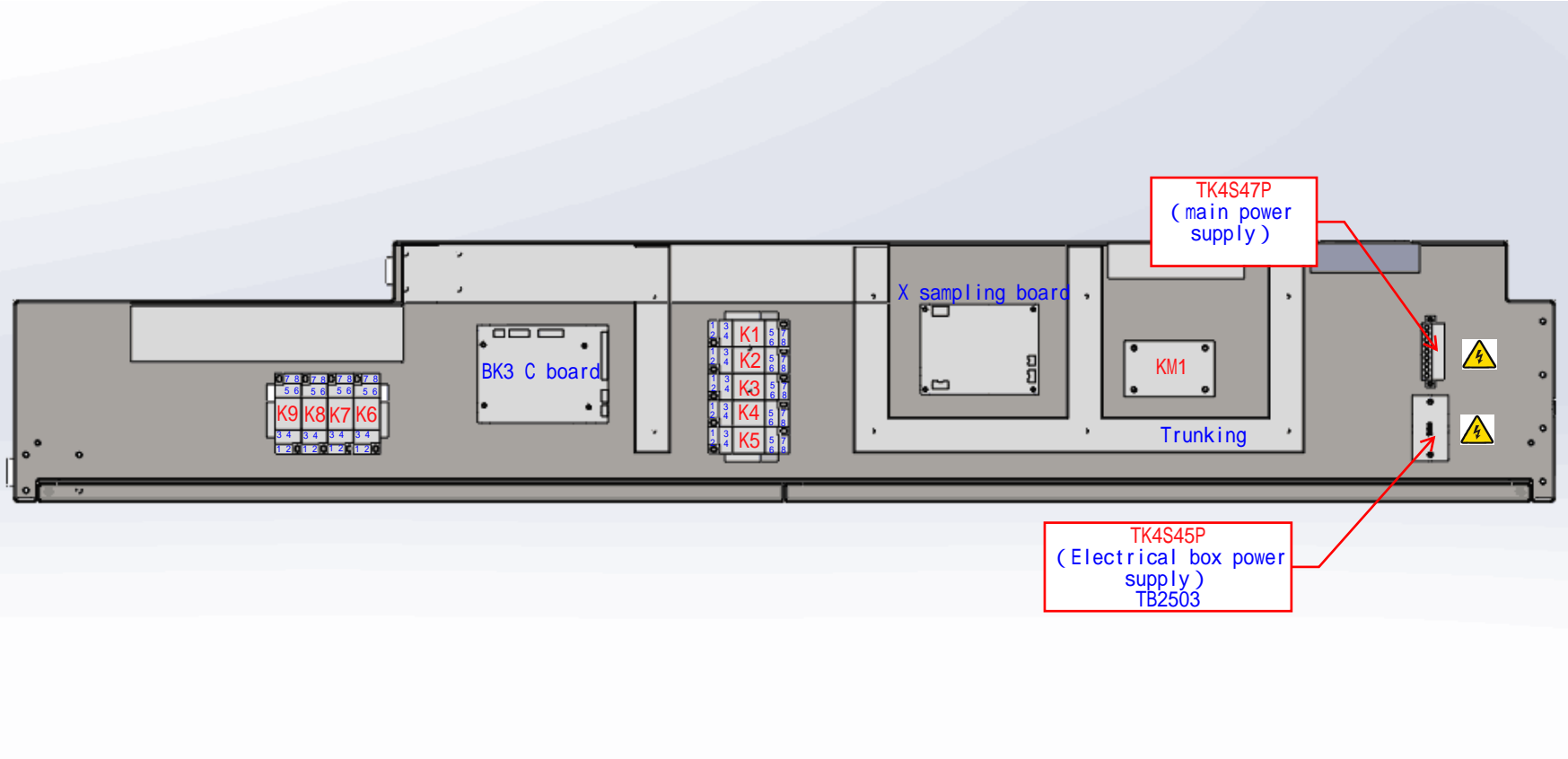
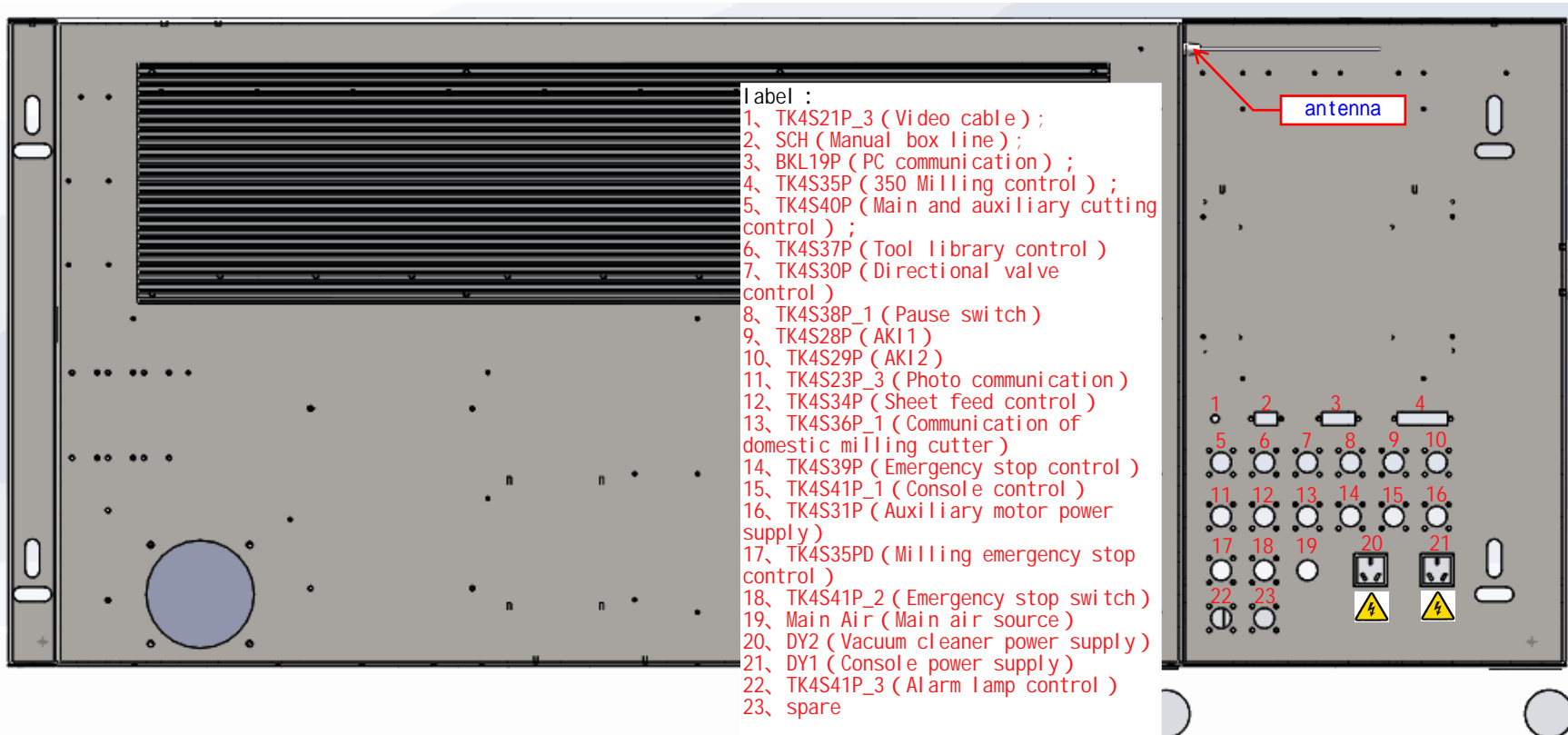


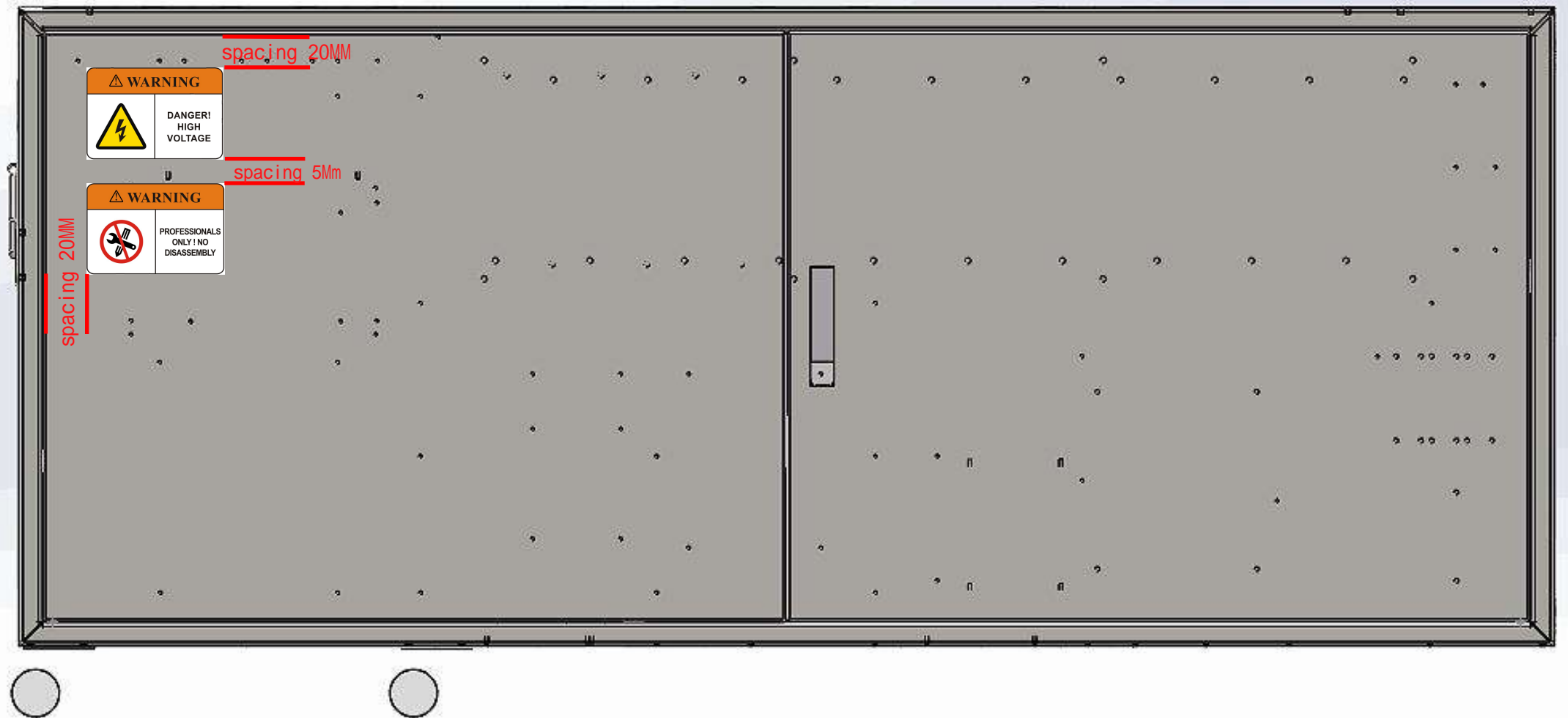
1. Layout



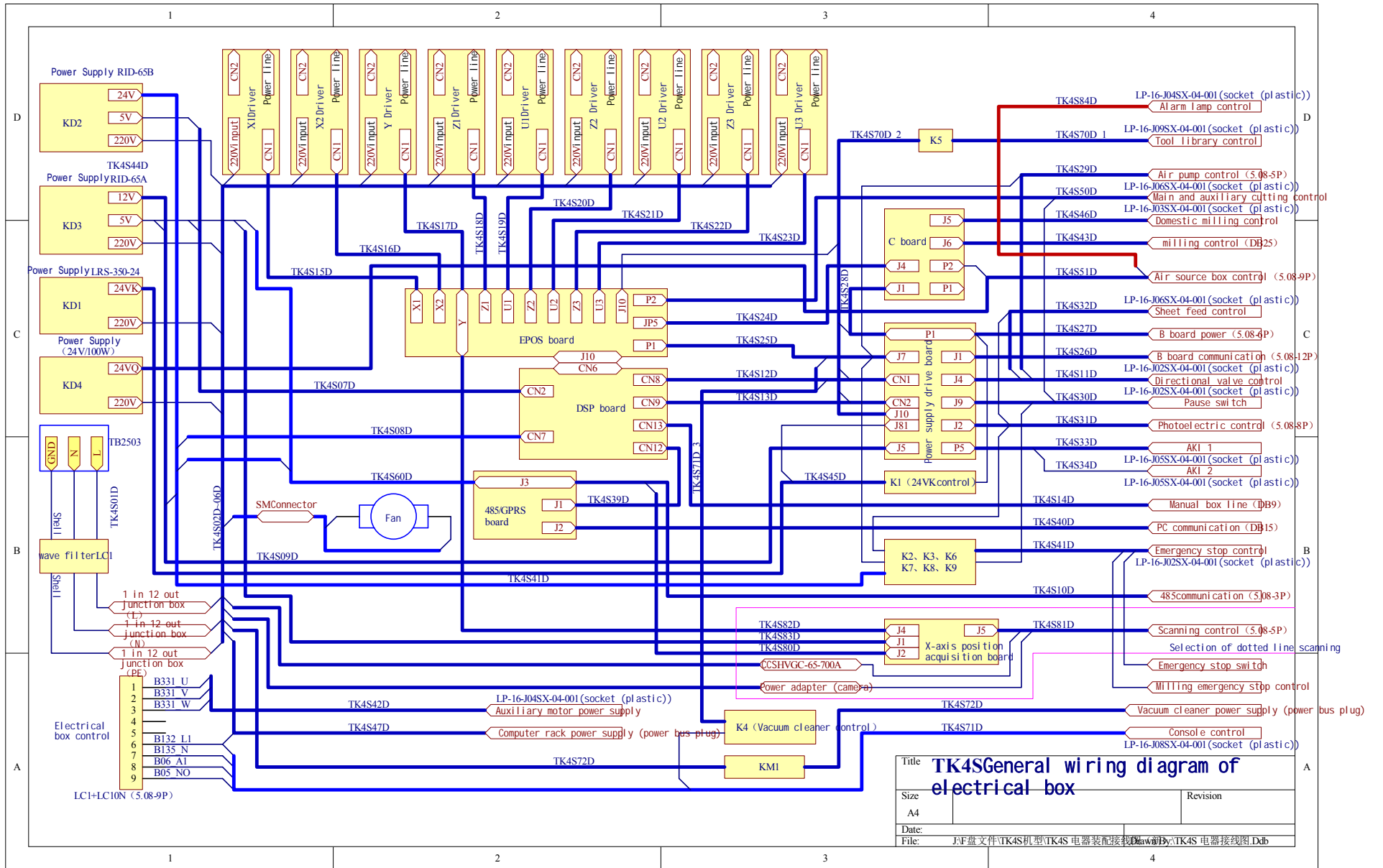




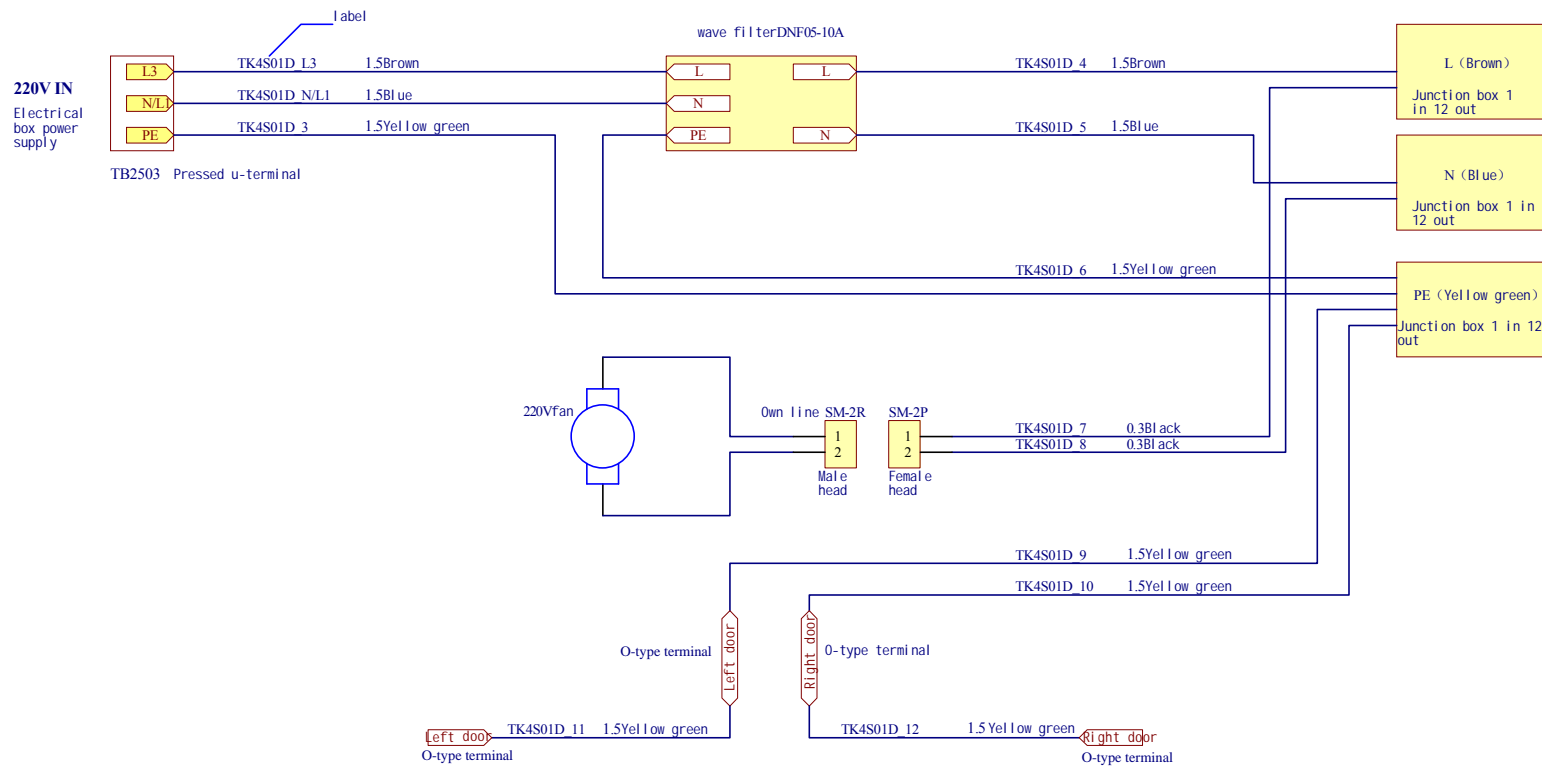




All signs are in English



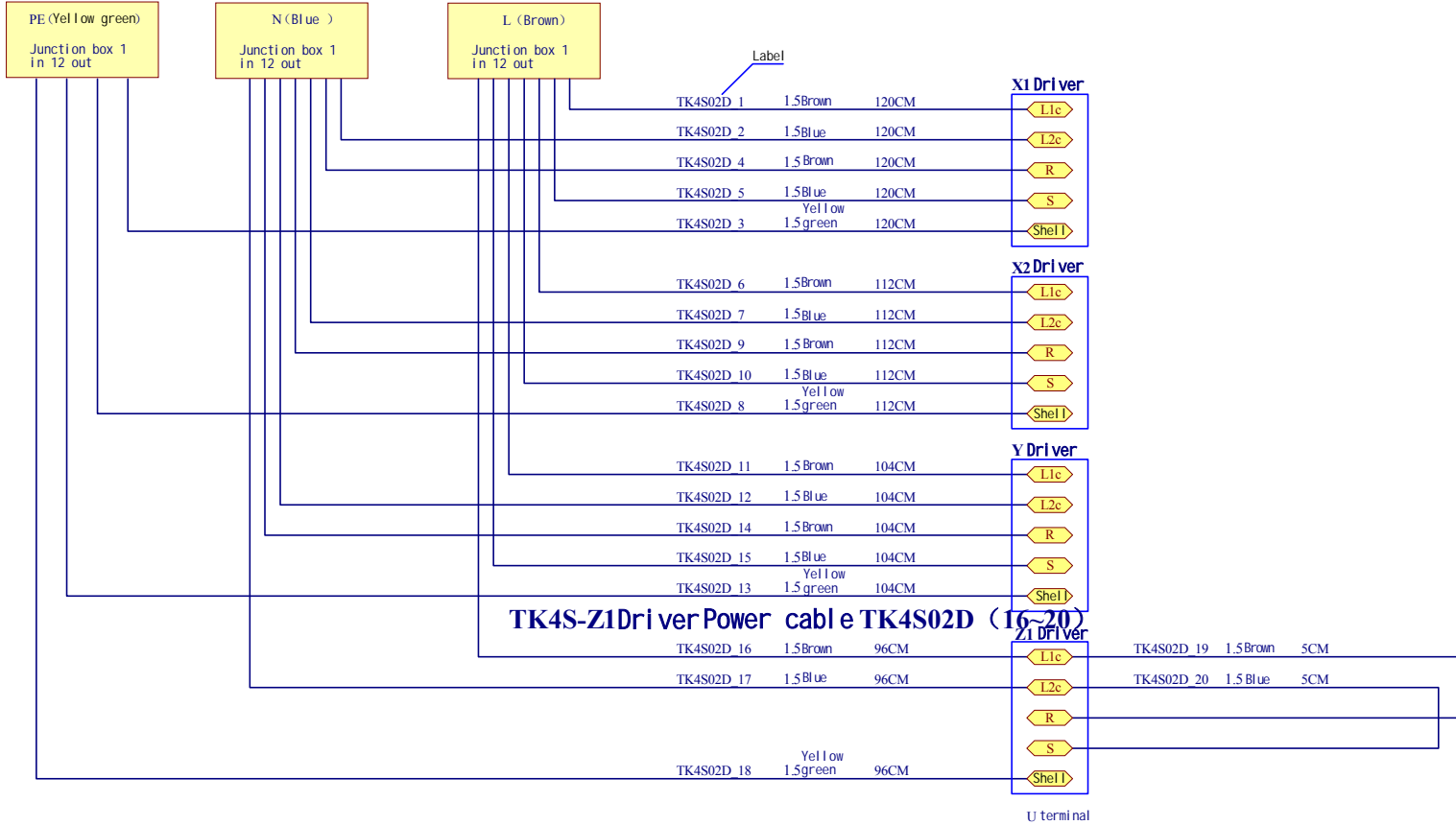
TK4S-220V Main power line TK4S01D



Title		
TK4S-220V Main power line TK4S01D		
Size	Number	Revision
A4		
Date:	8-Jan-2020	Sheet of
File:	J:\E盘文件\TK4S机型\TK4S 电器装配接线图.dwg	Drawn By: TK4S 电器接线图.Ddb

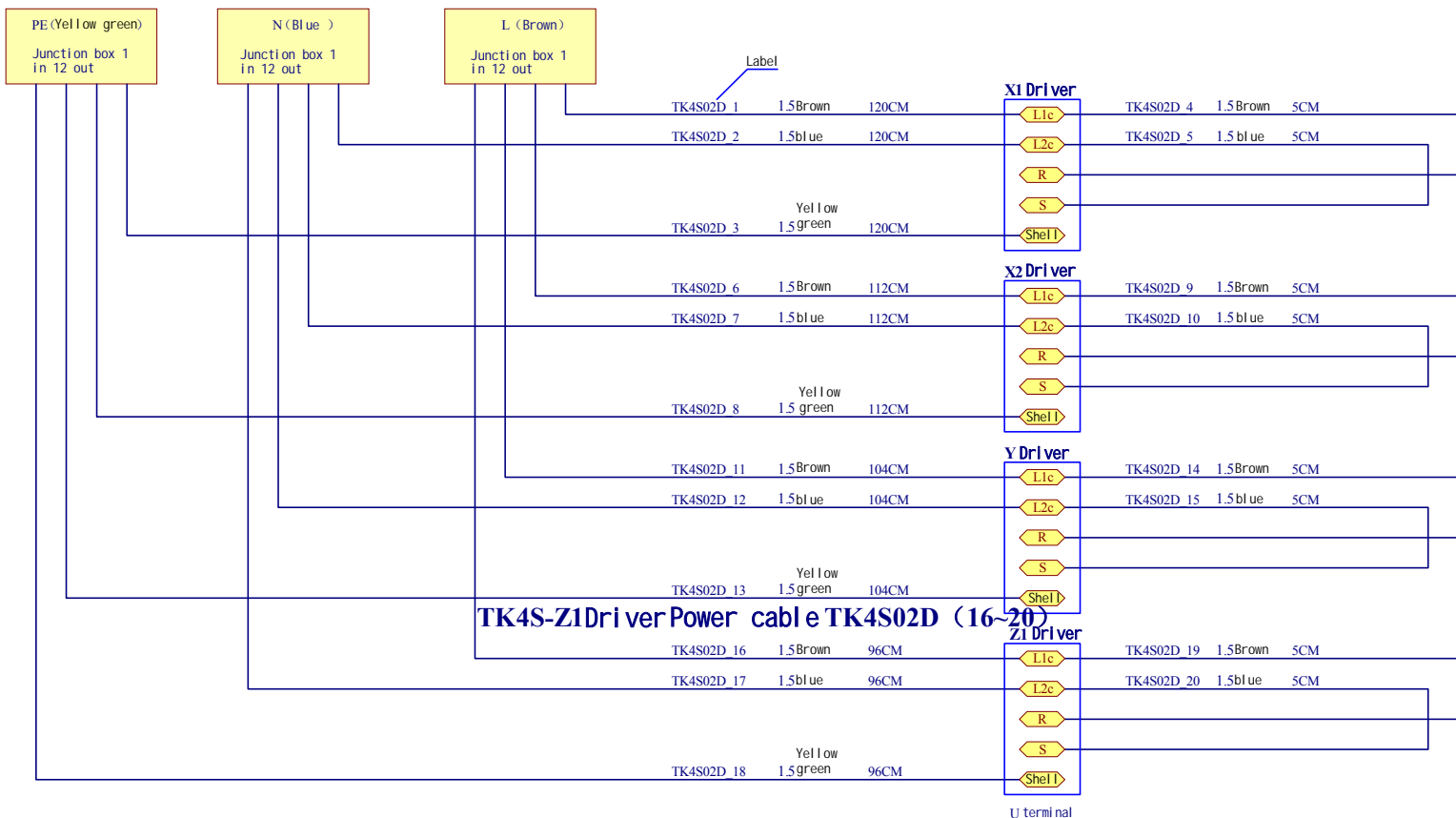
Electrical box components

A3 Drive only TK4S-XY Driver 220V Power cable TK4S02D (1-15)



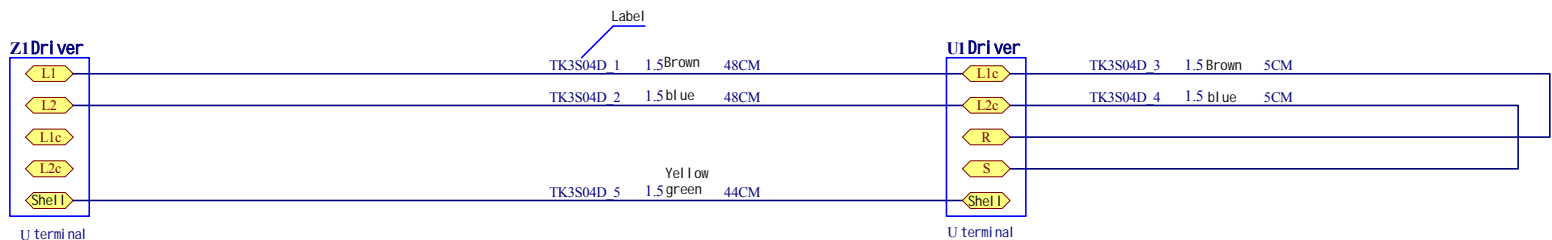
Title		
TK4S-XY Driver 220V Power cable TK4S02D		
Size	Number	Revision
A4	A3 Drive only	
Date:	8-Jan-2020	Sheet of
File:	J:\E盘文件\TK4S机型\TK4S 电器装配接线图\TK4S 电器接线图.Ddb	Drawn By:

TK4S-XYDriver220VPower cableTK4S02D (1~15)



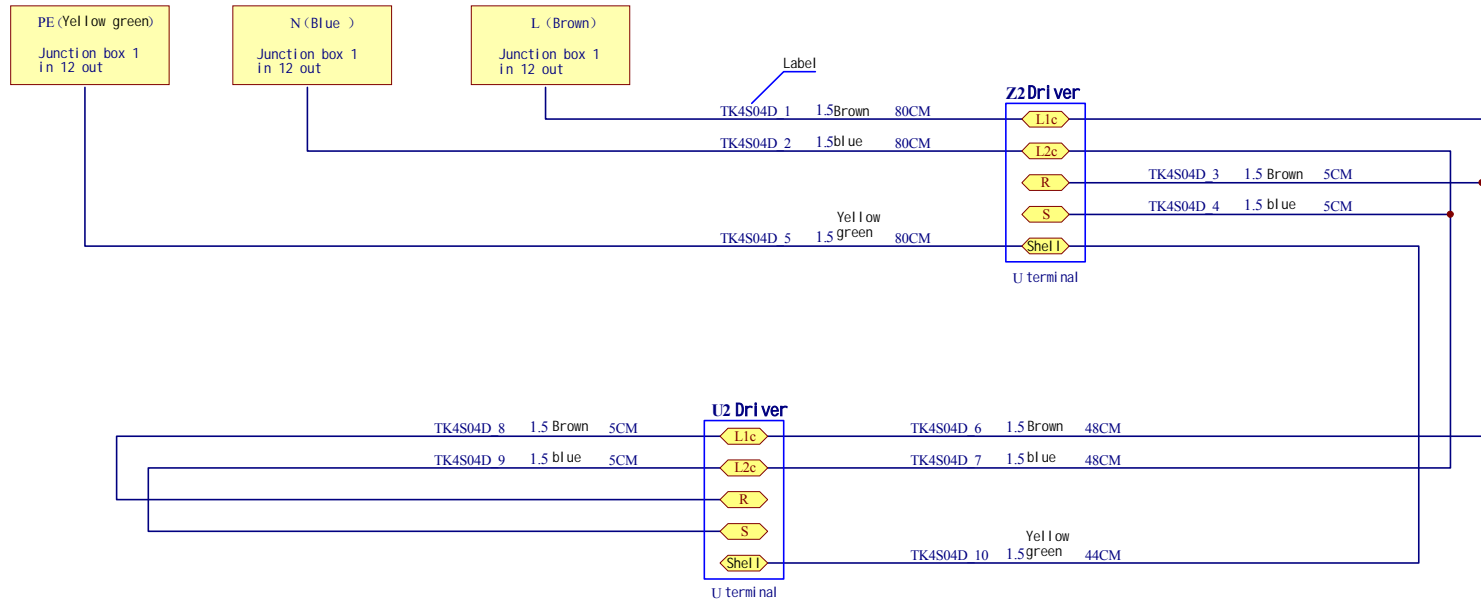
Title		
TK4S-XYDriver220VPower cableTK4S02D		
Size	Number	Revision
A4		
Date:	8-Jan-2020	Sheet of
File:	J:\E盘文件\TK4S机型\TK4S 电器装配接线图.dwg	Drawn By: TK4S 电器接线图.Ddb

TK4S-U1 Driver 220V Power cable TK4S03D



Title		
TK4S-U1驱动器220V电源线接线图（台达专用）V1.0.0		
Size	Number	Revision
A4		
Date:	8-Jan-2020	Sheet of
File:	J:\E盘文件\TK4S机型\TK4S 电器装配接线图\TK4S 电器接线图.Ddb	

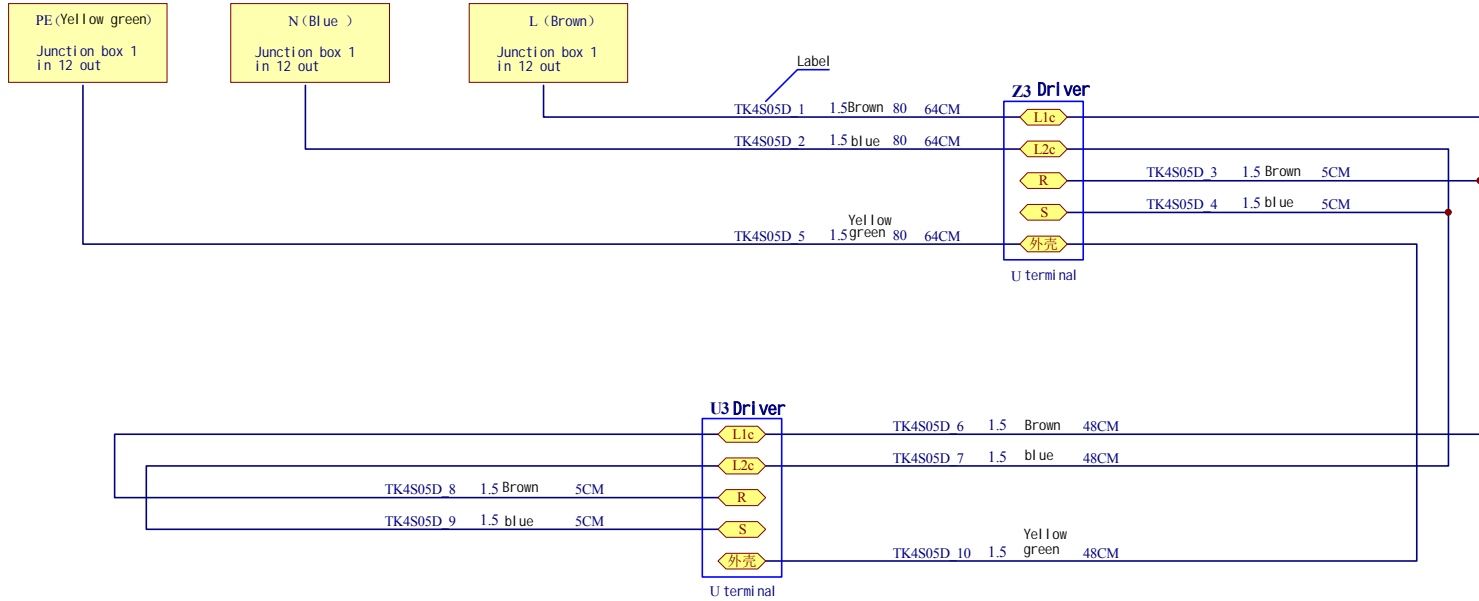
TK4S-dual head driver220VPower cable TK4S04D



注：
1、线两端做好标识；
2、线长仅供参考；

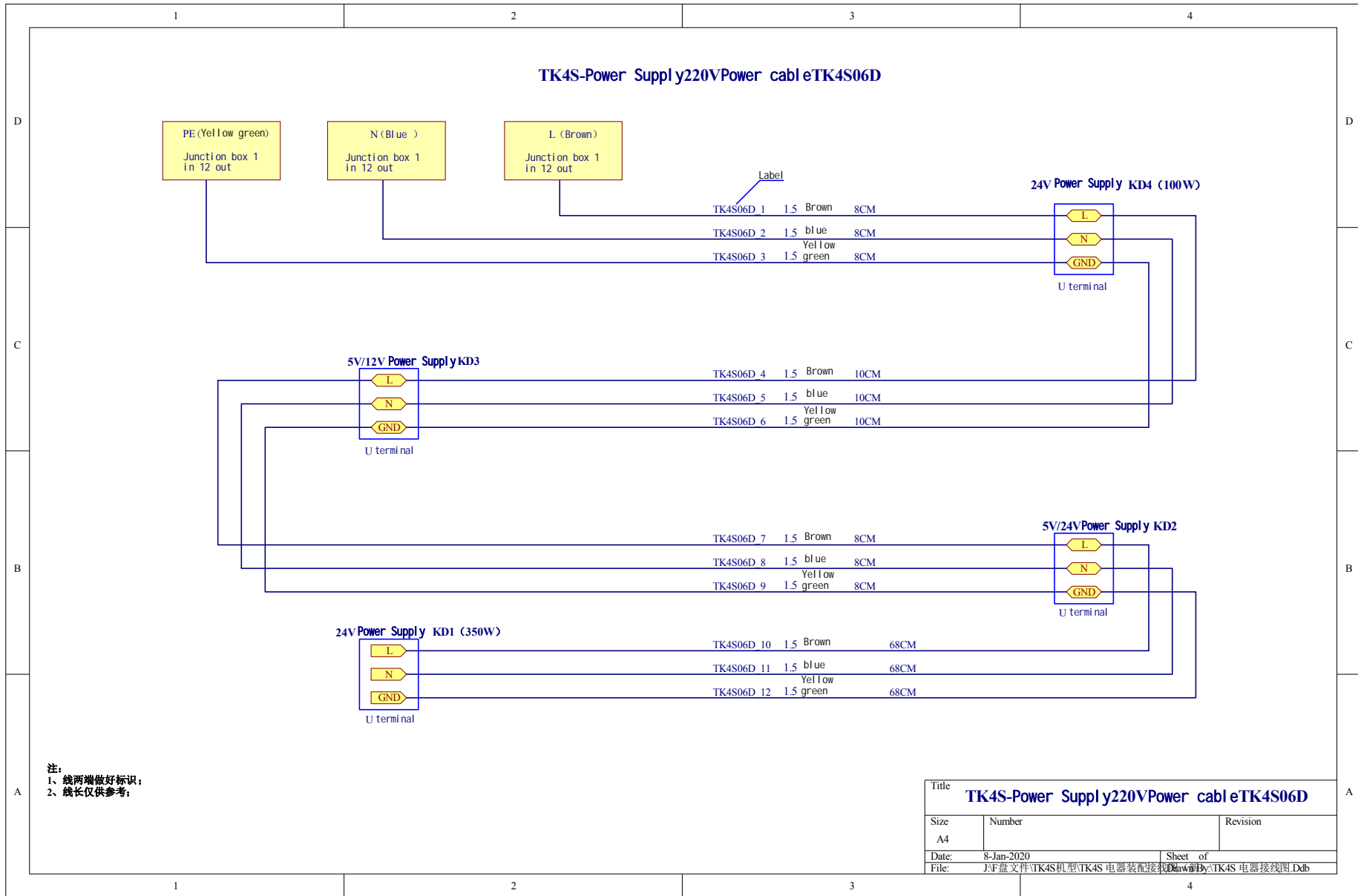
Title		
TK4S-双机头驱动器 220V电源线接线图 (台达专用) V1.0.0		
Size	Number	Revision
A4		
Date:	8-Jan-2020	Sheet of
File:	J:\F盘文件\TK4S机型\TK4S 电器装配接线图\TK4S 电器接线图.Ddb	1/1

TK4S-Three head drive220VPower cable TK4S05D

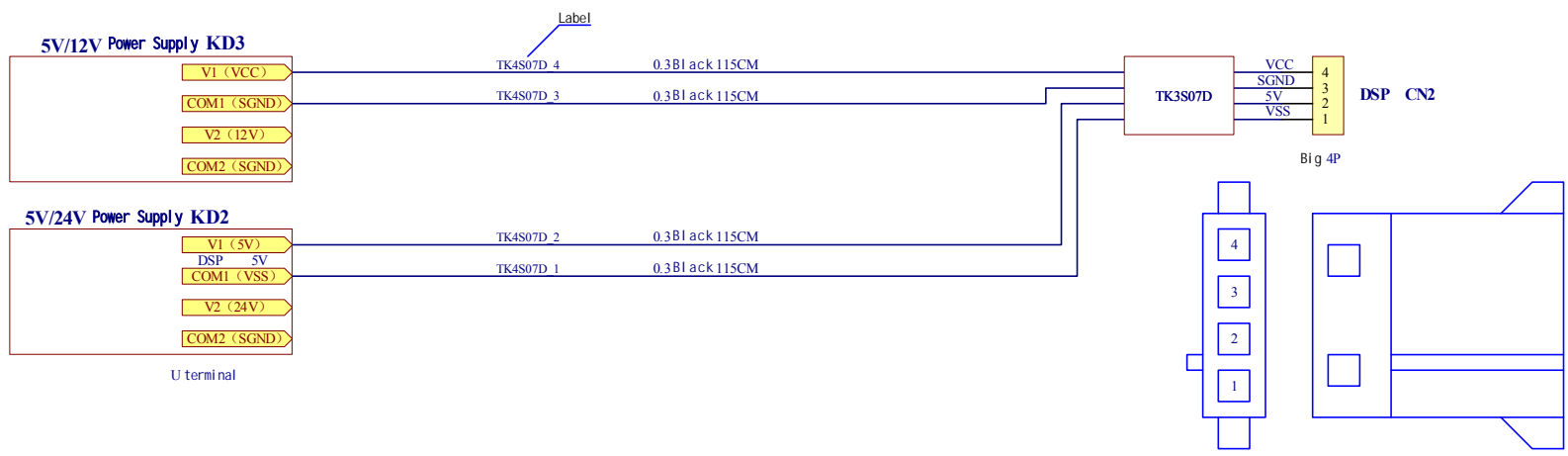


注：
1、线两端做好标识；
2、线长仅供参考；

Title		
TK4S-Three head drive220VPower cable TK4S05D		
Size	Number	Revision
A4		
Date:	8-Jan-2020	Sheet of
File:	J:\F盘文件\TK4S机型\TK4S 电器装配接线图	Drawn By: TK4S 电器接线图.Ddb



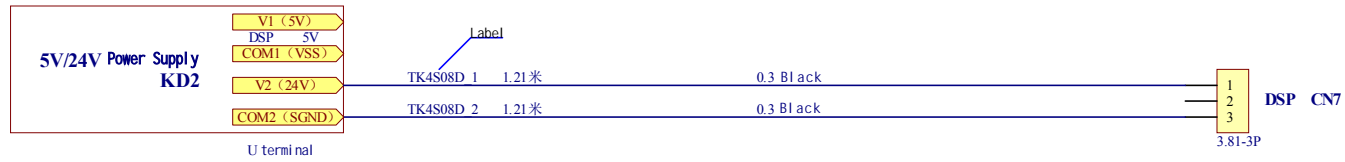
TK4S-5V power cable of DSP boardTK4S07D



注：
1、线两端做好标识；
2、线长仅供参考；

Title		
TK4S-5V power cable of DSP boardTK4S07D		
Size	Number	Revision
A4		
Date:	8-Jan-2020	Sheet of
File:	J:\E盘文件\TK4S机型\TK4S 电器装配接线图\TK4S 电器接线图.Ddb	Drawn By:

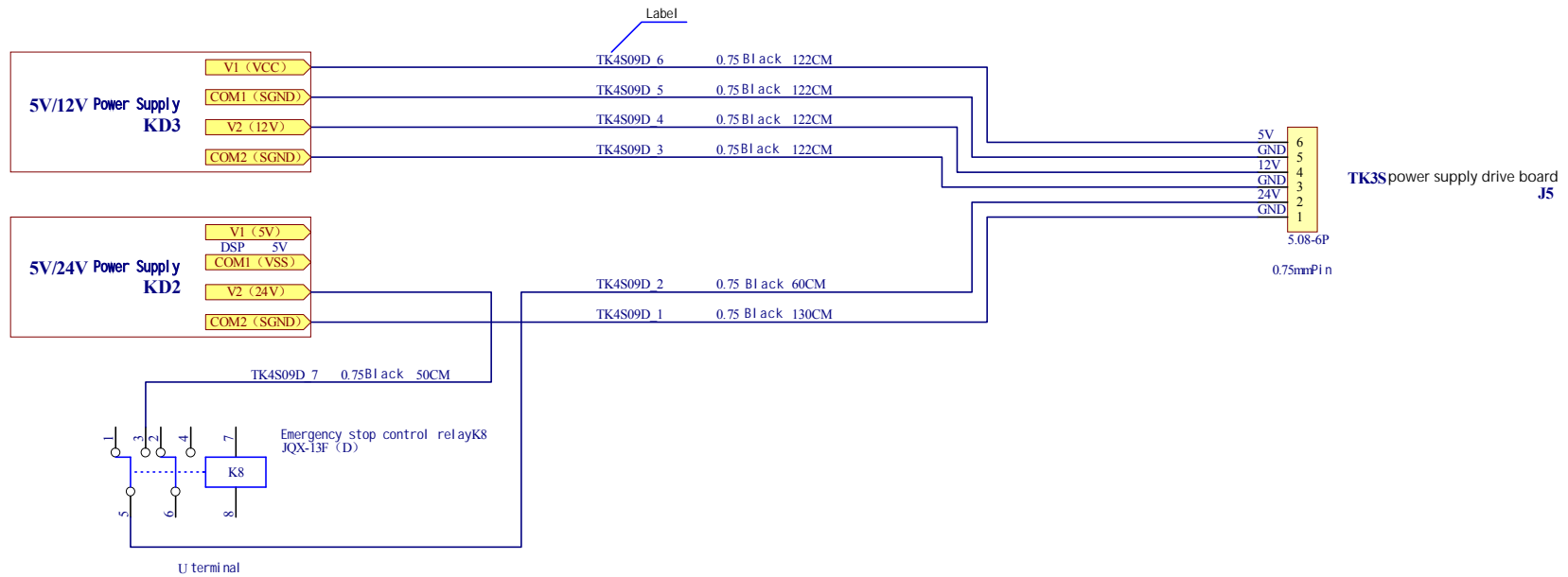
TK4S-24V power cable of DSP board TK4S08D



注：
1、线两端做好标识；
2、线长仅供参考；

Title		
TK4S-24V power cable of DSP board TK4S08D		
Size	Number	Revision
A4		
Date:	8-Jan-2020	Sheet of
File:	J:\F盘文件\TK4S机型\TK4S 电器装配接线图\TK4S 电器接线图.Ddb	1/1

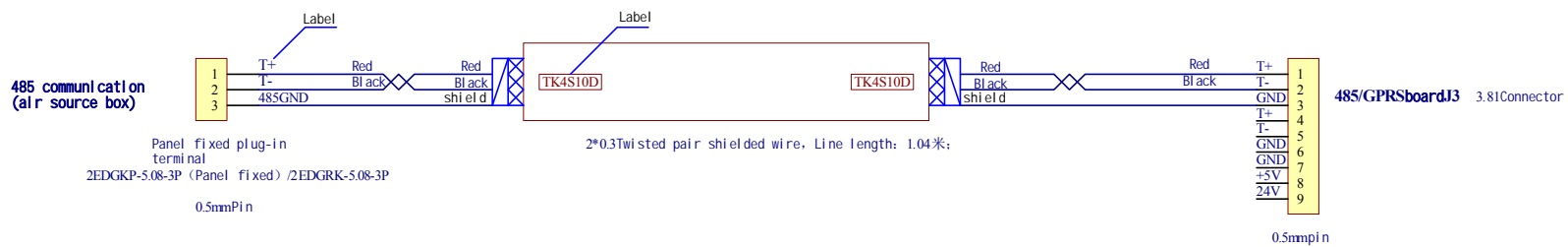
TK4S-J5 power cable of power supply drive boardTK4S09D



注：
1、线两端做好标识；
2、线长仅供参考；

Title TK4S-J5 power cable of power supply drive boardTK4S09D		
Size A4	Number	Revision
Date: 8-Jan-2020	Sheet of	
File: J:\E盘文件\TK4S机型\TK4S 电器装配接线图\TK4S 电器接线图.Ddb		

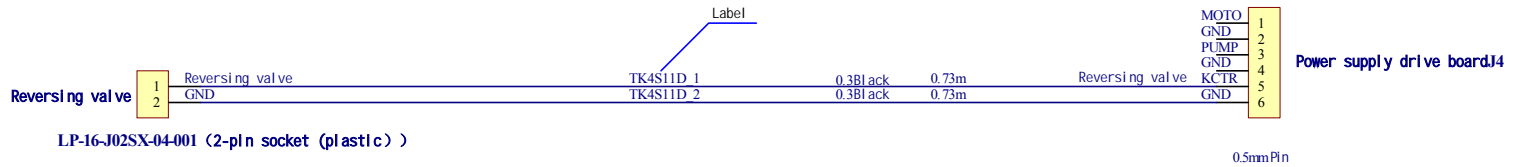
TK4S-485 communication cableTK4S10D



注：
1、线两端做好标识；
2、线长仅供参考；

Title		
TK4S-485 communication cableTK4S10D		
Size	Number	Revision
A4		
Date:	8-Jan-2020	Sheet of
File:	J:\E盘文件\TK4S机型\TK4S 电器装配接线图\TK4S 电器接线图.Ddb	

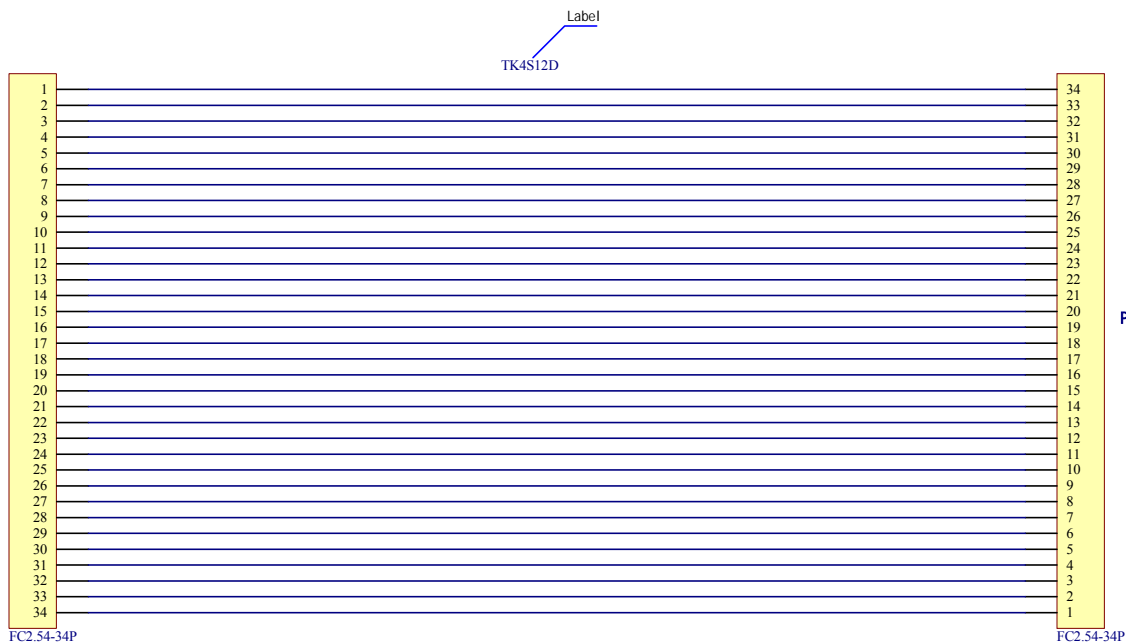
TK4S-Reversing valve control lineTK4S11D



注：
1、线两端做好标识；
2、线长仅供参考；

Title		
TK4S-Reversing valve control lineTK4S11D		
Size	Number	Revision
A4		
Date:	8-Jan-2020	Sheet of
File:	JWF盘文件\TK4S机型\TK4S 电器装配接线图.dwg	TK4S 电器接线图.Ddb

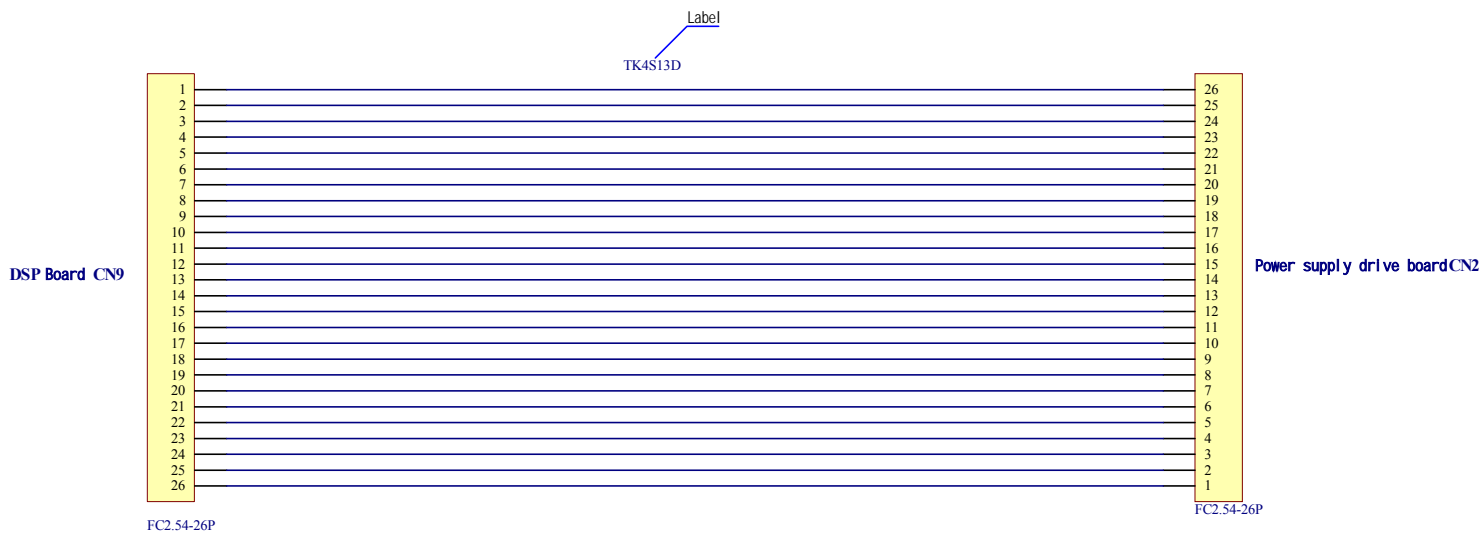
TK4S-CN8 control cable of DSP boardTK4S12D



注：
1、线两端做好标识；
2、线长仅供参考；

Title		
TK4S-CN8 control cable of DSP boardTK4S12D		
Size	Number	Revision
A4		
Date:	8-Jan-2020	Sheet of
File:	J:\E盘文件\TK4S机型\TK4S 电器装配接线图.dwg	Drawn By: TK4S 电器接线图.Ddb

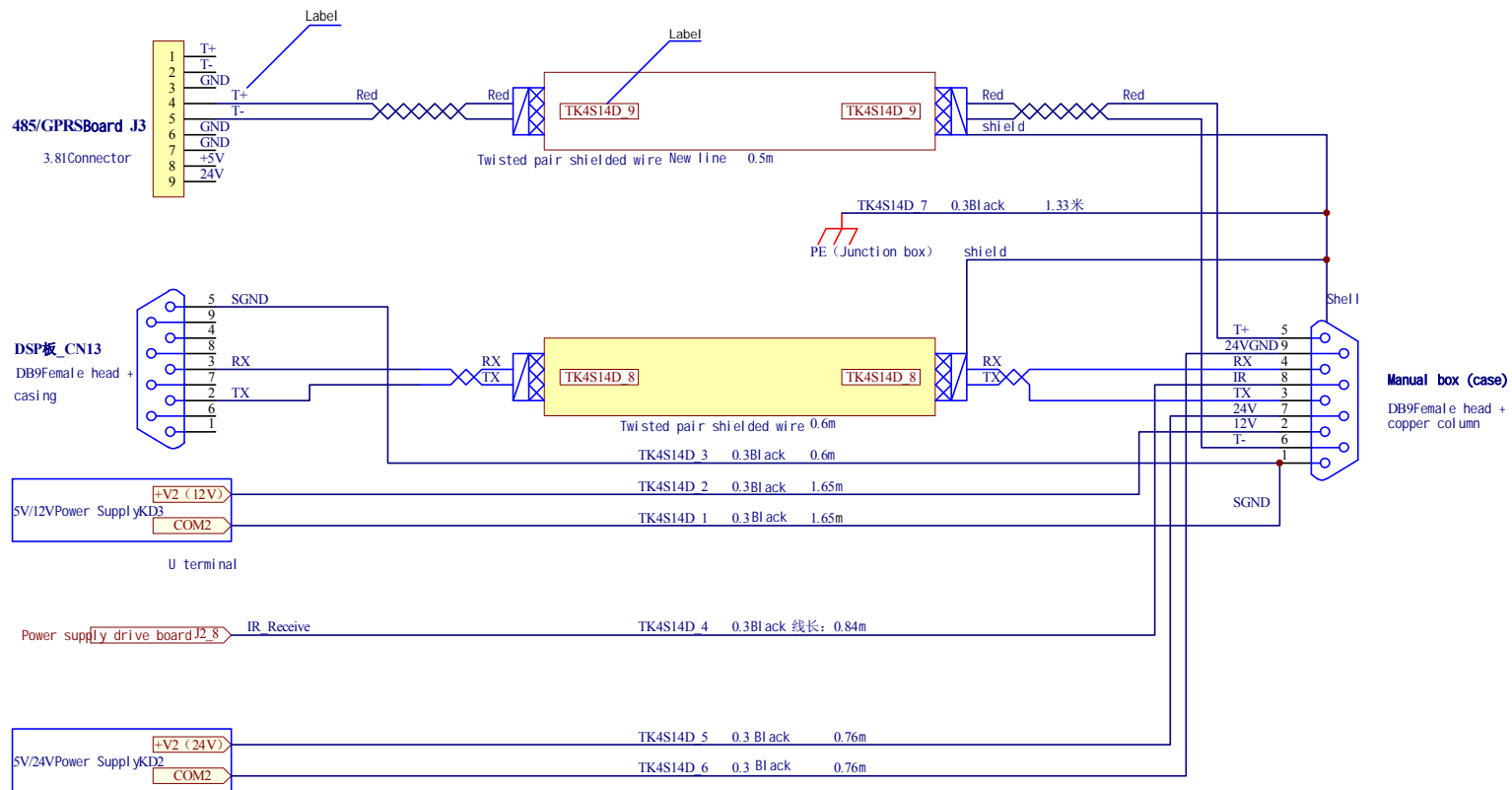
TK4S-CN9 control cable of DSP board TK4S13D



注：
1、线两端做好标识；
2、线长仅供参考；

Title		
TK4S-CN9 control cable of DSP board TK4S13D		
Size	Number	Revision
A4		
Date:	8-Jan-2020	Sheet of
File:	J:\F盘文件\TK4S机型\TK4S 电器装配接线图\TK4S 电器接线图.Ddb	1/1

TK4S-DSP board manual box cable TK4S14D

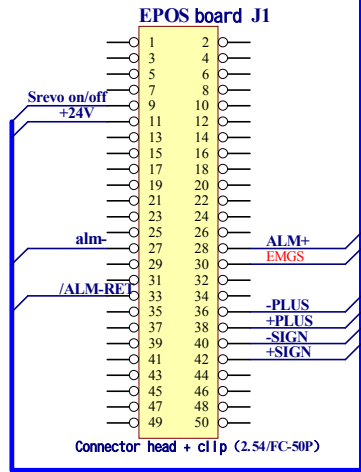


注：
1、线两端做好标识；
2、线长仅供参考；

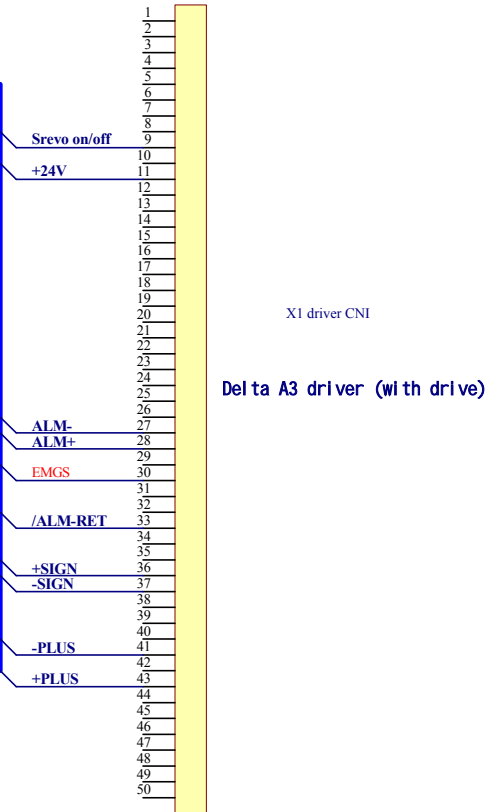
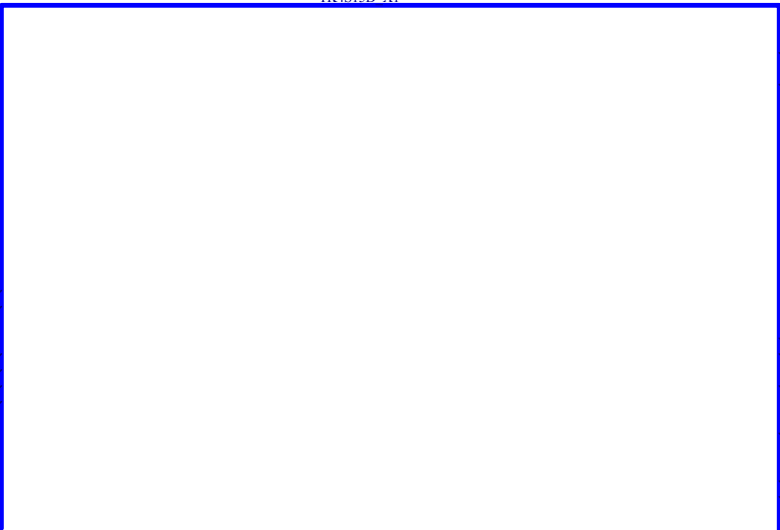
Title		
TK4S-DSP board manual box cable TK4S14D		
Size	Number	Revision
A4		
Date:	8-Jan-2020	Sheet of
File:	J:\E盘文件\TK4S机型\TK4S 电器装配接线图\TK4S 电器接线图.Ddb	

Electrical box components A3Drive only

TK4S-X1Driver control cableTK4S15D

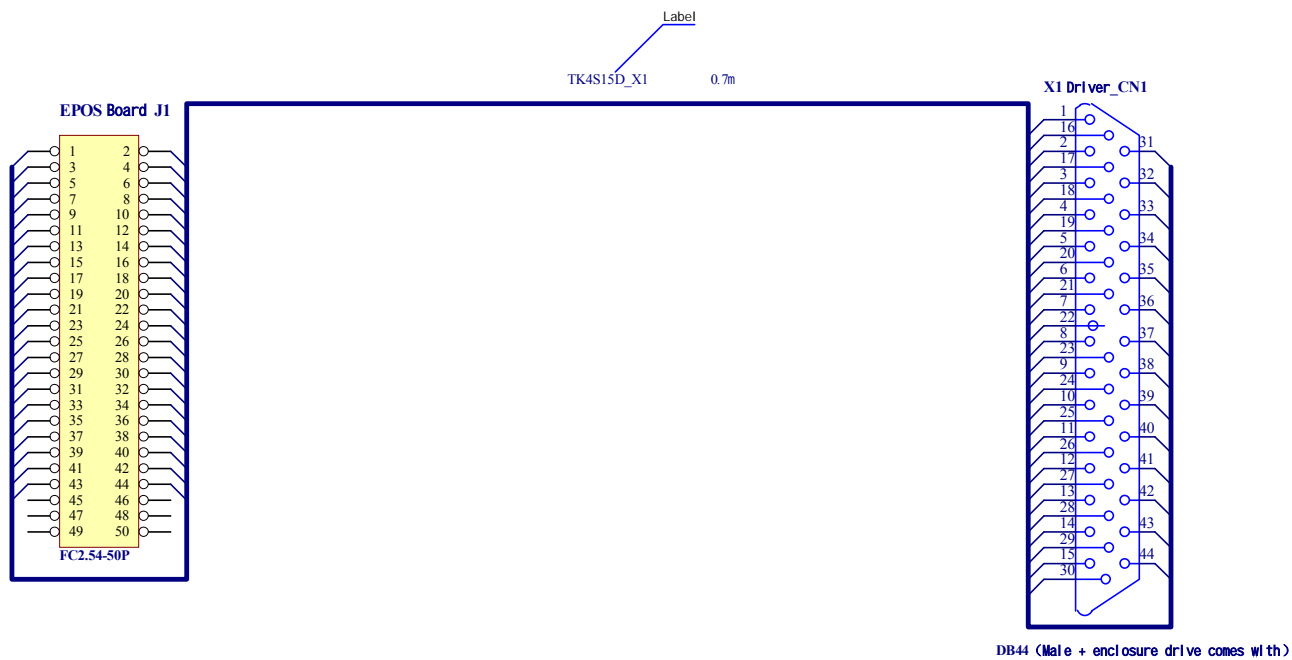


20200108Revised content: GND not connected, add EMGS wiring (30 pins)



Title		
TK4S-X1Driver control cableTK4S15D		
Size	Number	Revision
A4		
Date:	8-Jan-2020	Sheet of
File:	J:\E盘文件\TK4S机型\TK4S 电器装配接线图\TK4S 电器接线图.Ddb	

TK4S-X1 driver control cableTK4S15D



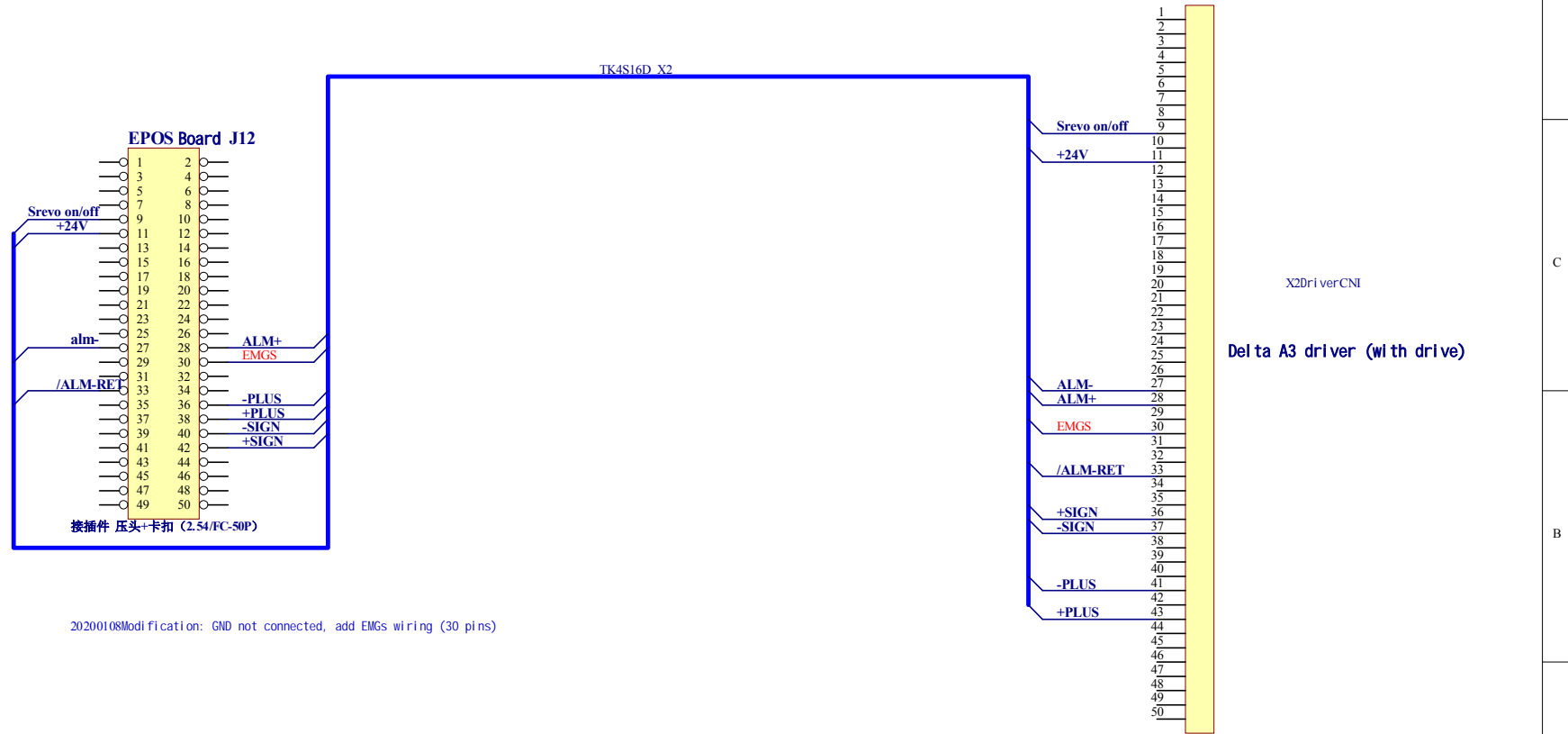
注：
1、线两端做好标识；
2、线长仅供参考；

Title		
TK4S-X1 driver control cableTK4S15D		
Size	Number	Revision
A4		
Date:	8-Jan-2020	Sheet of
File:	J:\E盘文件\TK4S机型\TK4S 电器装配接线图\TK4S 电器接线图.Ddb	Drawn By: TK4S

Electrical box components

Special for A3 driver

TK4S-X2 driver control cableTK4S16D

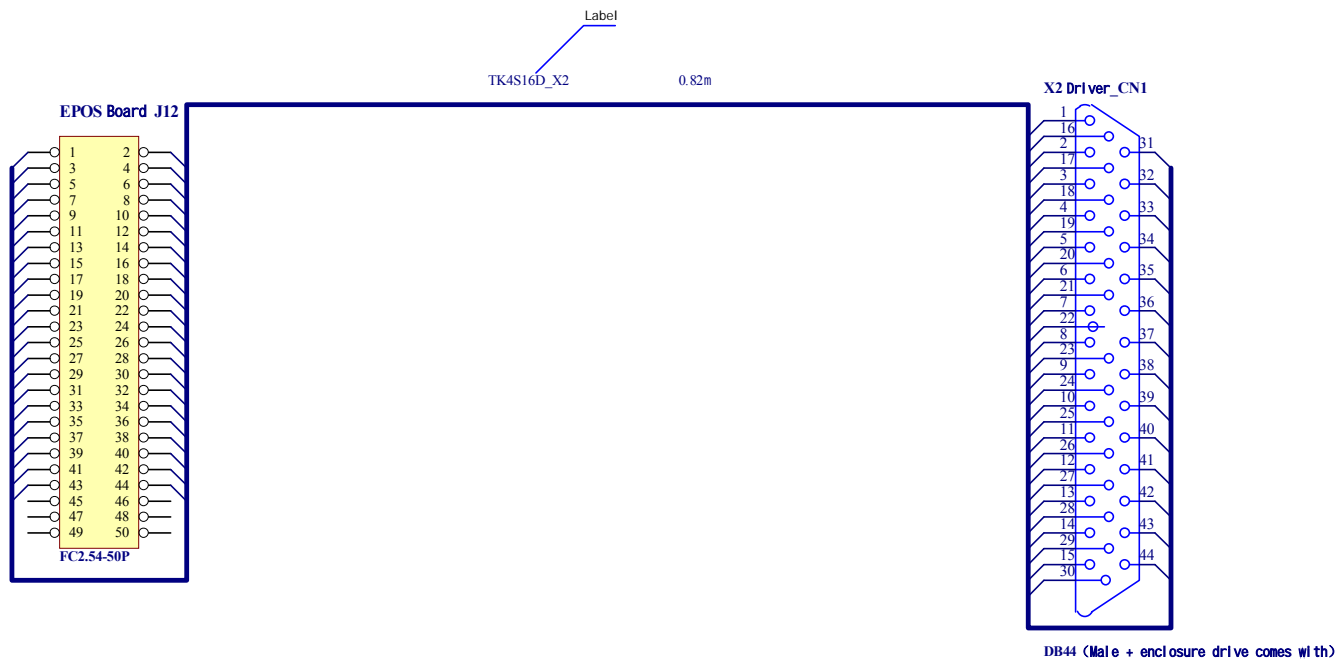


20200108Modification: GND not connected, add EMGs wiring (30 pins)

注：线长仅供参考，线两端做好标识 50芯2.54排线，线长：77CM

Title		
TK4S-X2 driver control cableTK4S16D		
Size	Number	Revision
A4		
Date:	8-Jan-2020	Sheet of
File:	JWF盘文件\TK4S机型\TK4S 电器装配接线图.dwg	TK4S 电器接线图.Ddb

TK4S-X2 driver control cableTK4S16D

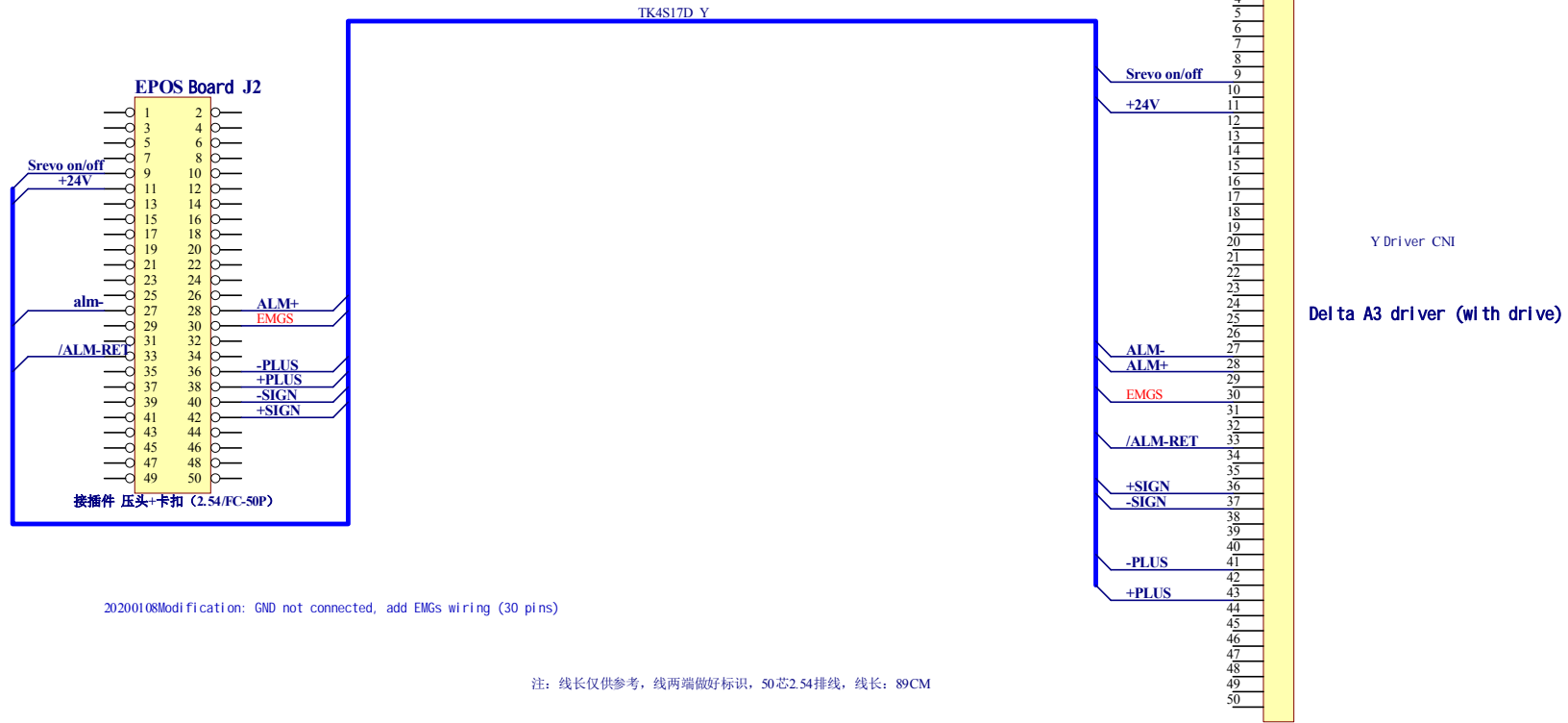


注：
1、线两端做好标识；
2、线长仅供参考；

Title		
TK4S-X2 driver control cableTK4S16D		
Size	Number	Revision
A4		
Date:	8-Jan-2020	Sheet of
File:	JWF盘文件TK4S机型TK4S 电器装配接线图.dwg	Drawn By: TK4S 电器接线图.Ddb

Electrical box components Special for A3 driver

TK4S-Y driver control cableTK4S17D

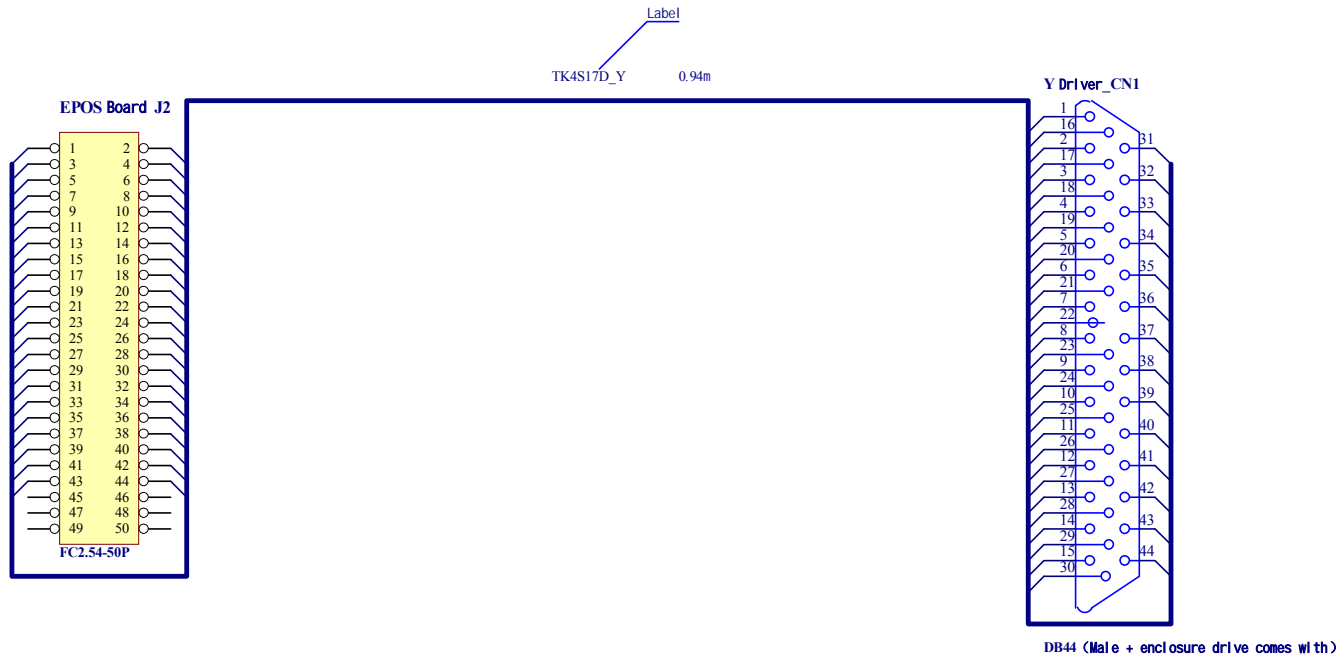


20200108Modification: GND not connected, add EMGS wiring (30 pins)

注：线长仅供参考，线两端做好标识，50芯2.54排线，线长：89CM

Title		
TK4S-Y driver control cableTK4S17D		
Size	Number	Revision
A4		
Date:	8-Jan-2020	Sheet of
File:	J:\E盘文件\TK4S机型\TK4S 电器装配接线图\TK4S 电器接线图.Ddb	

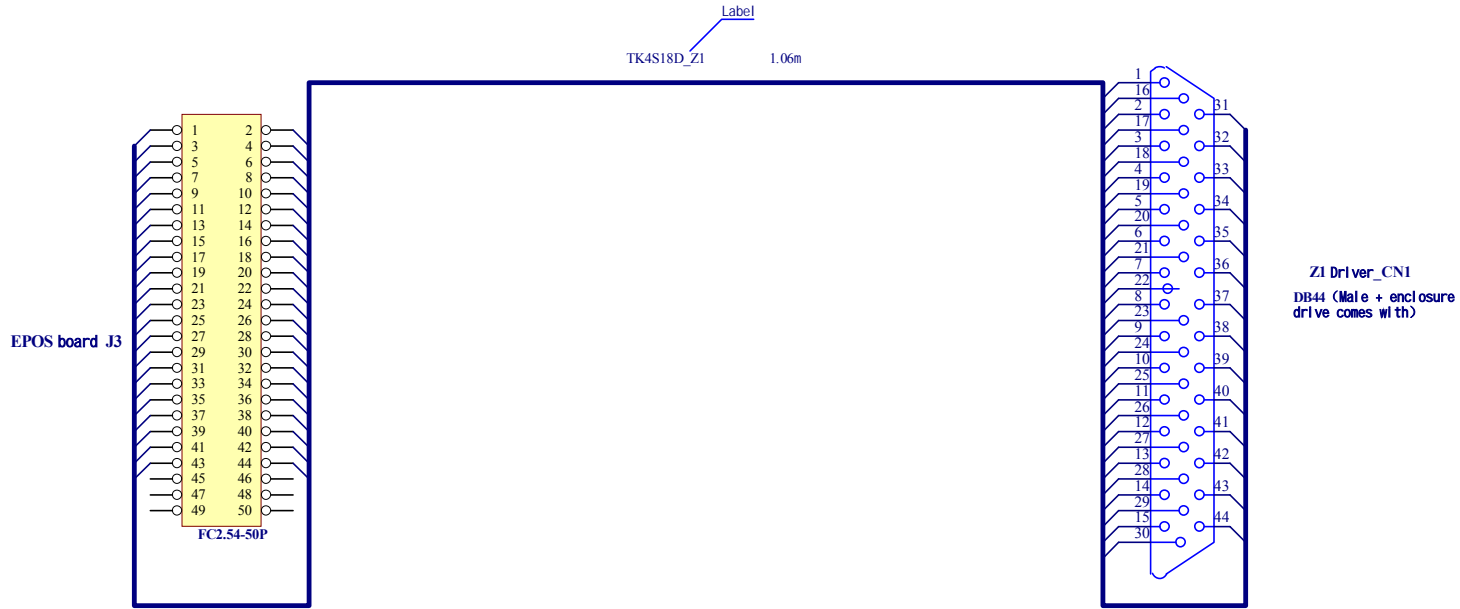
TK4S-Y drive control cableTK4S17D



注：
1、线两端做好标识；
2、线长仅供参考；

Title		
TK4S-Y drive control cableTK4S17D		
Size	Number	Revision
A4		
Date:	8-Jan-2020	Sheet of
File:	J:\E盘文件\TK4S机型\TK4S 电器装配接线图\TK4S 电器接线图.Ddb	

TK4S-Z1drive control cableTK4S18D

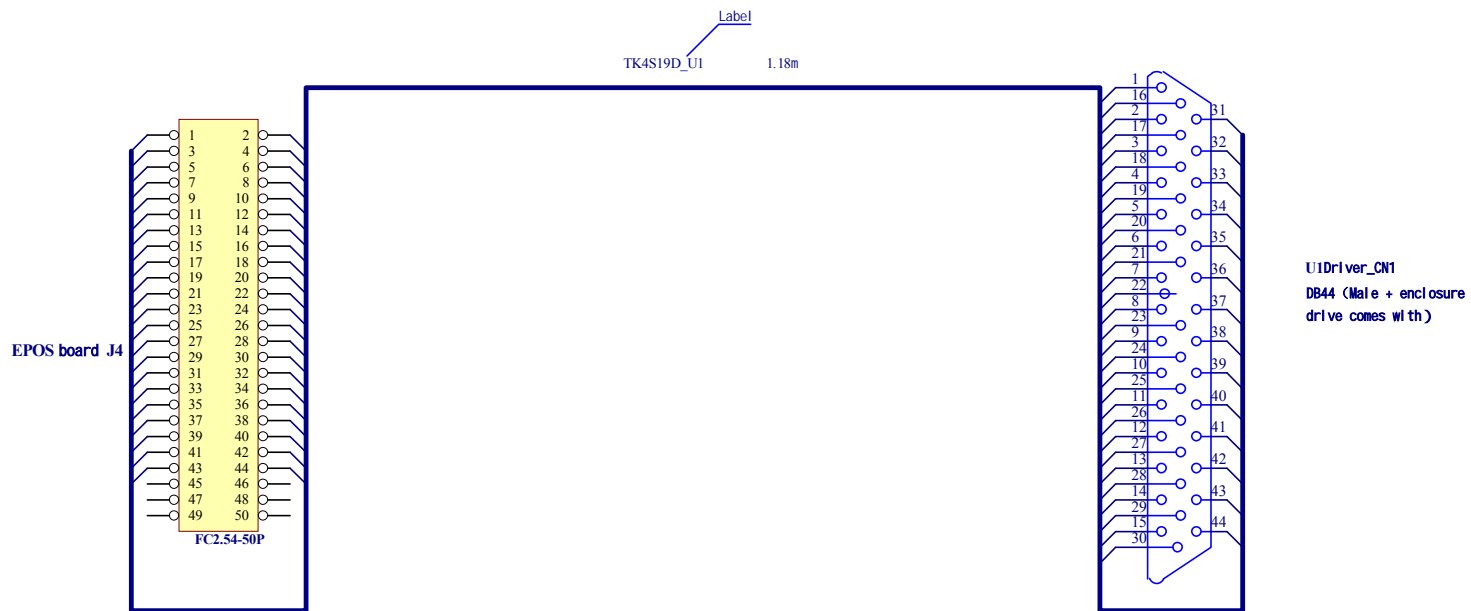


注：
 1、Limit短路；
 2、线长仅供参考，线两端做好标识

Title: **TK4S-Z1drive control cableTK4S18D**

Size	Number	Revision
A4		
Date:	8-Jan-2020	Sheet of
File:	J:\E盘文件\TK4S机型\TK4S 电器装配接线图\TK4S 电器接线图.Ddb	

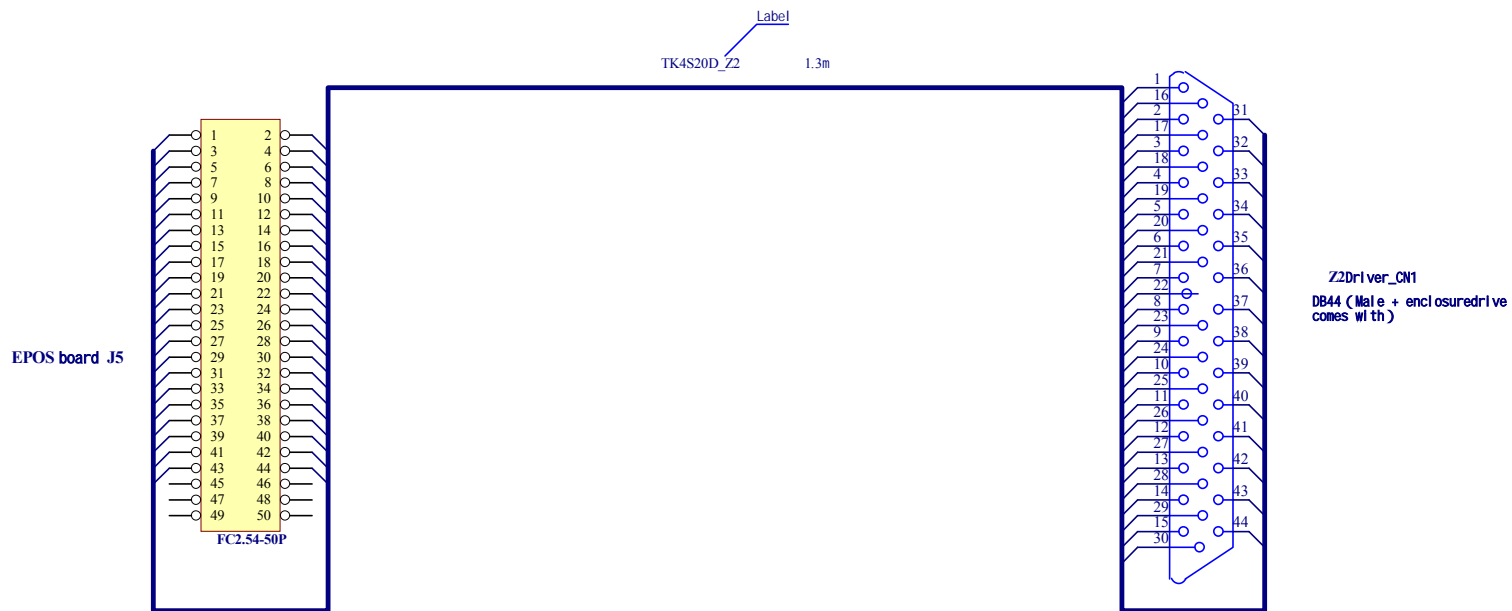
TK4S-U1drive control cableTK4S19D



注：
1、Limit短路；
2、线长仅供参考，线两端做好标识

Title		
TK4S-U1drive control cableTK4S19D		
Size	Number	Revision
A4		
Date:	8-Jan-2020	Sheet of
File:	J:\E盘文件\TK4S机型\TK4S 电器装配接线图\TK4S 电器接线图.Ddb	

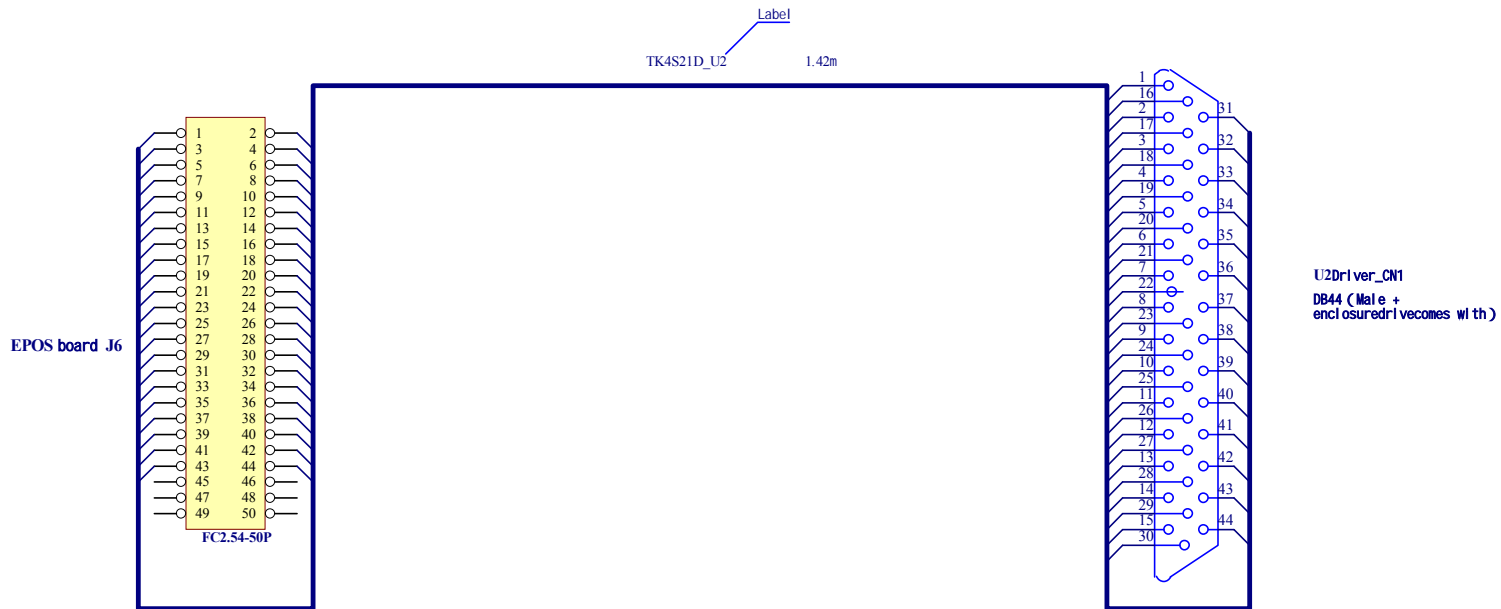
TK4S-Z2drive control cableTK4S20D



注：
 1、Limit短路；
 2、线长仅供参考，线两端做好标识

Title		
TK4S-Z2drive control cableTK4S20D		
Size	Number	Revision
A4		
Date:	8-Jan-2020	Sheet of
File:	J:\E盘文件\TK4S机型\TK4S 电器装配接线图\TK4S 电器接线图.Ddb	

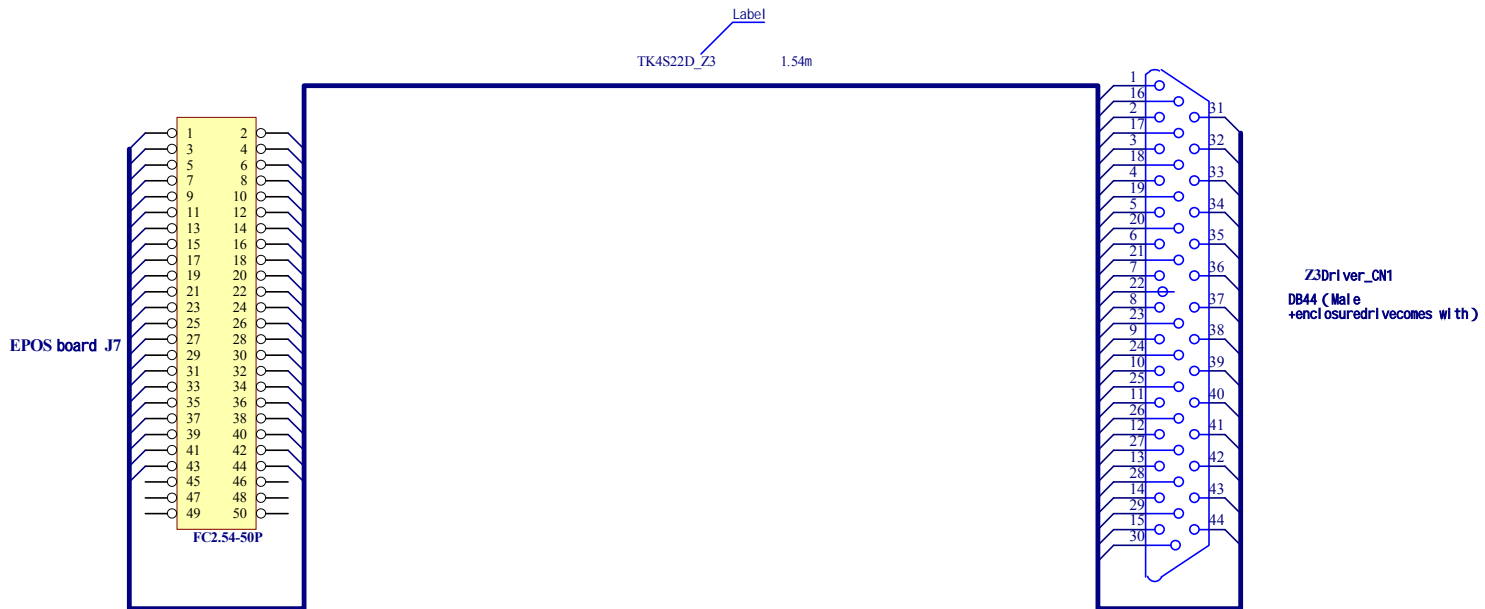
TK4S-U2drive control cableTK4S21D



注：
 1、Limit短路；
 2、线长仅供参考，线两端做好标识

Title		
TK4S-U2driver control cableTK4S21D		
Size	Number	Revision
A4		
Date:	8-Jan-2020	Sheet of
File:	J:\E盘文件\TK4S机型\TK4S 电器装配接线图\TK4S 电器接线图.Ddb	Drawn By:

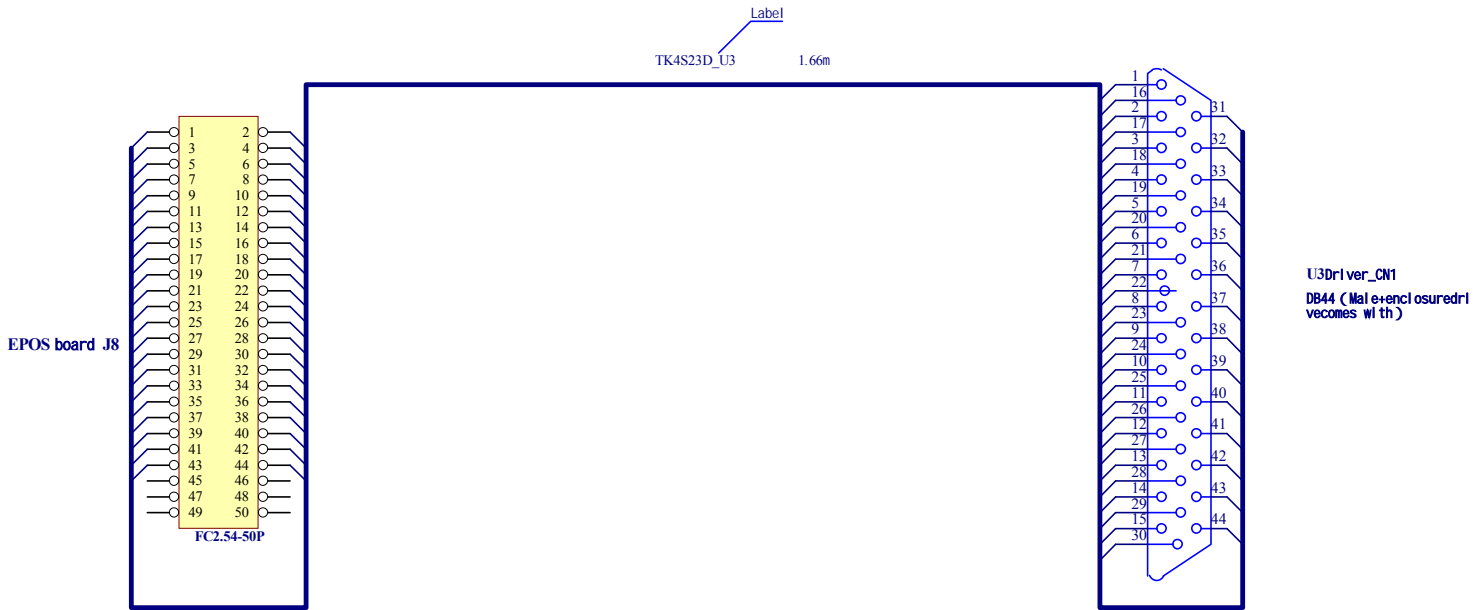
TK4S-Z3driver control cableTK4S22D



注：
1、Limit短路；
2、线长仅供参考，线两端做好标识

Title		
TK4S-Z3driver control cableTK4S22D		
Size	Number	Revision
A4		
Date:	8-Jan-2020	Sheet of
File:	J:\E盘文件\TK4S机型\TK4S 电器装配接线图\TK4S 电器接线图.Ddb	

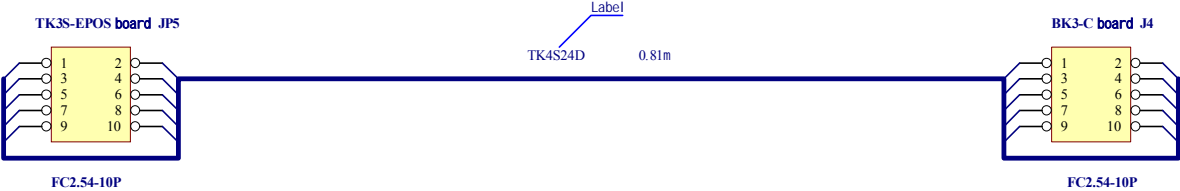
TK4S-U3driver control cableTK4S23D



注：
 1、Limit短路；
 2、线长仅供参考，线两端做好标识

Title		
TK4S-U3driver control cableTK4S23D		
Size	Number	Revision
A4		
Date:	8-Jan-2020	Sheet of
File:	J:\E盘文件\TK4S机型\TK4S 电器装配接线图\TK4S 电器接线图.Ddb	

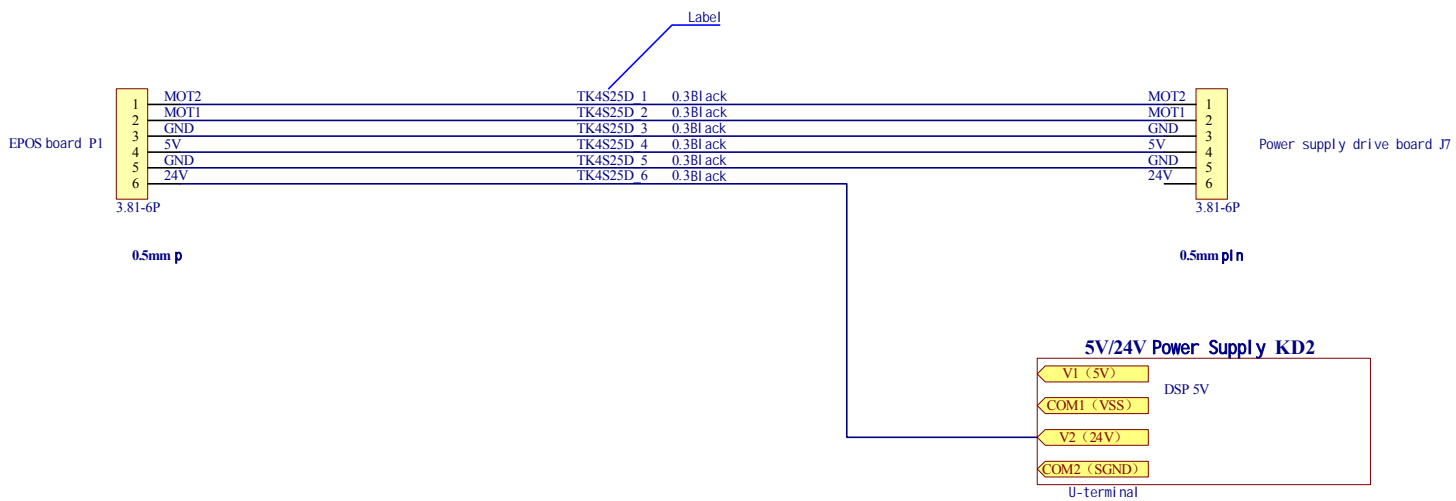
TK4S-SPI Communication cableTK4S24D



注：线长仅供参考，线两端做好标识

Title		
TK4S-SPI Communication cableTK4S24D		
Size	Number	Revision
A4		
Date:	8-Jan-2020	Sheet of
File:	J:\E盘文件\TK4S机型\TK4S 电器装配接线图\TK4S 电器接线图.Ddb	Drawn By:

TK4S-Head switch cableTK4S25D



注：线长仅供参考，线两端做好标识

Title		
TK4S-Head switch cableTK4S25D		
Size	Number	Revision
A4		
Date:	8-Jan-2020	Sheet of
File:	J:\E盘文件\TK4S机型\TK4S 电器装配接线图\TK4S 电器接线图.Ddb	

TK4S-B board data communication cableTK4S26D

B board communication

1
2
3
4
5
6
7
8
9
10
11
12

PENCTR
ZHOME A
ZHOME B
ETO CE
WHEEL CE
HEADCHECK
MOT SELT1
MOT SELT2
KNIFE11
KNIFE12
KNIFE21
KNIFE22

TK4S26D 1
TK4S26D 2
TK4S26D 3
TK4S26D 4
TK4S26D 5
TK4S26D 6
TK4S26D 7
TK4S26D 8
TK4S26D 9
TK4S26D 10
TK4S26D 11
TK4S26D 12

type: 0.381black, length: 0.9m;

PENCTR
ZHOME A
ZHOME B
ETO CE
WHEEL CE
HEADCHECK
MOT SELT1
MOT SELT2
KNIFE11
KNIFE12
KNIFE21
KNIFE22

1
2
3
4
5
6
7
8
9
10
11
12

Power supply drive boardJ1
3.81-12P

0.5mm pin

Panel fixed plug-in terminal

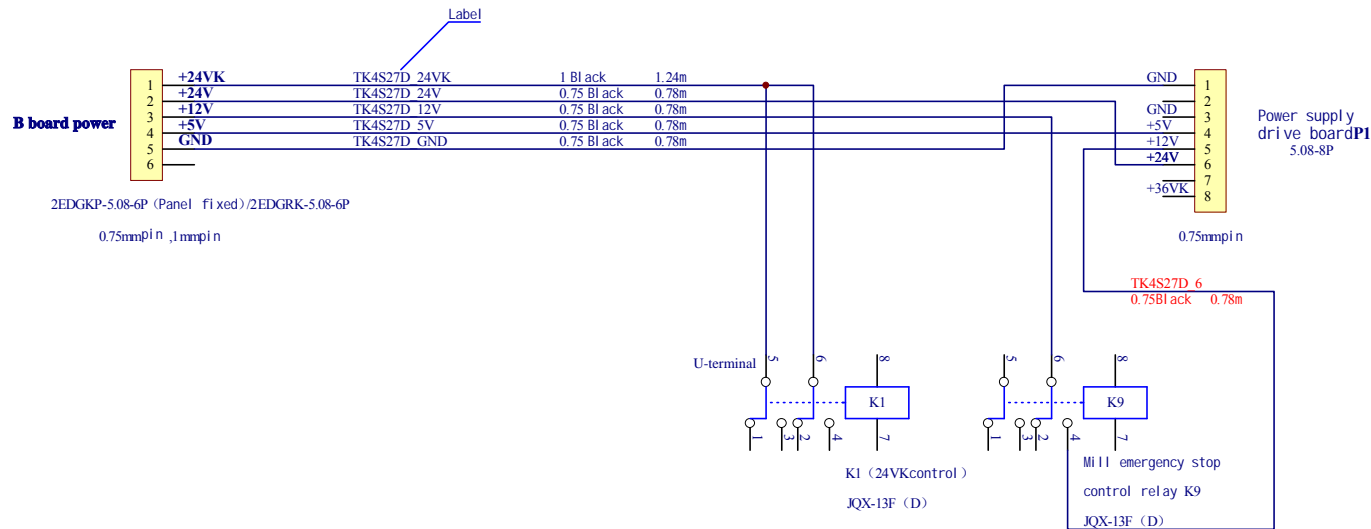
2EDGKP-5.08-12P (Panel fixed)/2EDGRK-5.08-12P

0.5mm pin

注：线长仅供参考，线两端做好标识

Title TK4S-B board data communication cableTK4S26D		
Size A4	Number	Revision
Date: 8-Jan-2020	Sheet of	
File: J:\E盘文件\TK4S机型\TK4S 电器装配接线图\TK4S 电器接线图.Ddb		

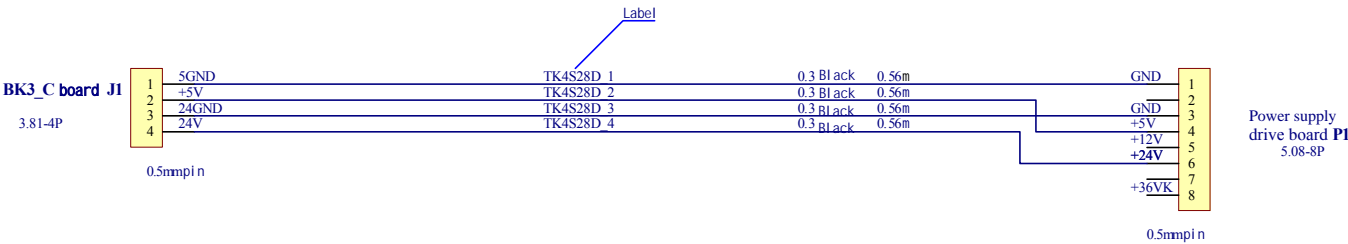
TK4S-B board power cableTK4S27D



注：线长仅供参考，线两端做好标识

Title		
TK4S-B board power cableTK4S27D		
Size	Number	Revision
A4		
Date:	8-Jan-2020	Sheet of
File:	JWF文件TK4S机型TK4S 电器装配接线图.dwg	TK4S 电器接线图.Ddb

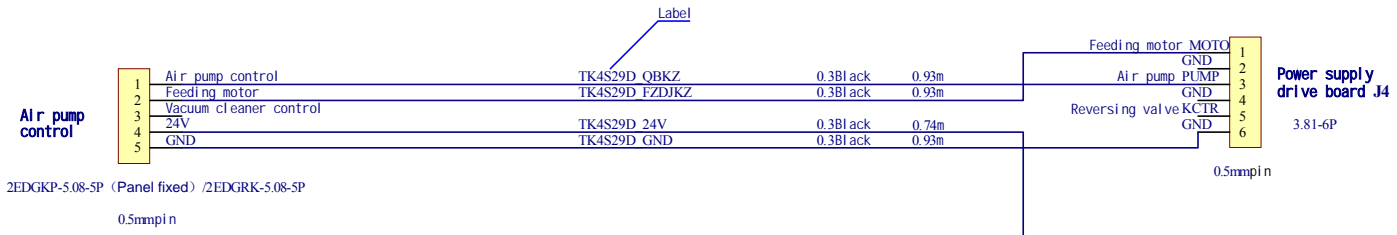
TK4S-C board power cable TK4S28D



注：线长仅供参考，线两端做好标识

Title		
TK4S-C board power cable TK4S28D		
Size	Number	Revision
A4		
Date:	8-Jan-2020	Sheet of
File:	J:\E盘文件\TK4S机型\TK4S 电器装配接线图\TK4S 电器接线图.Ddb	

TK4S-Air pump control cableTK4S29D

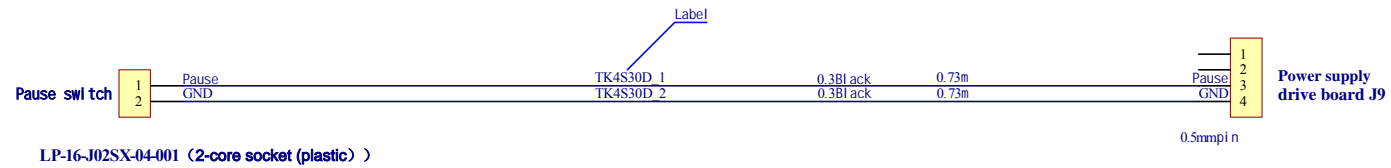


20200108Modification content: exchange of wiring position between 24 V and GND;

注：线长仅供参考，线两端做好标识

Title		
TK4S-Air pump control cableTK4S29D		
Size	Number	Revision
A4		
Date:	8-Jan-2020	Sheet of
File:	J:\E盘文件\TK4S机型\TK4S 电器装配接线图\TK4S 电器接线图.Ddb	

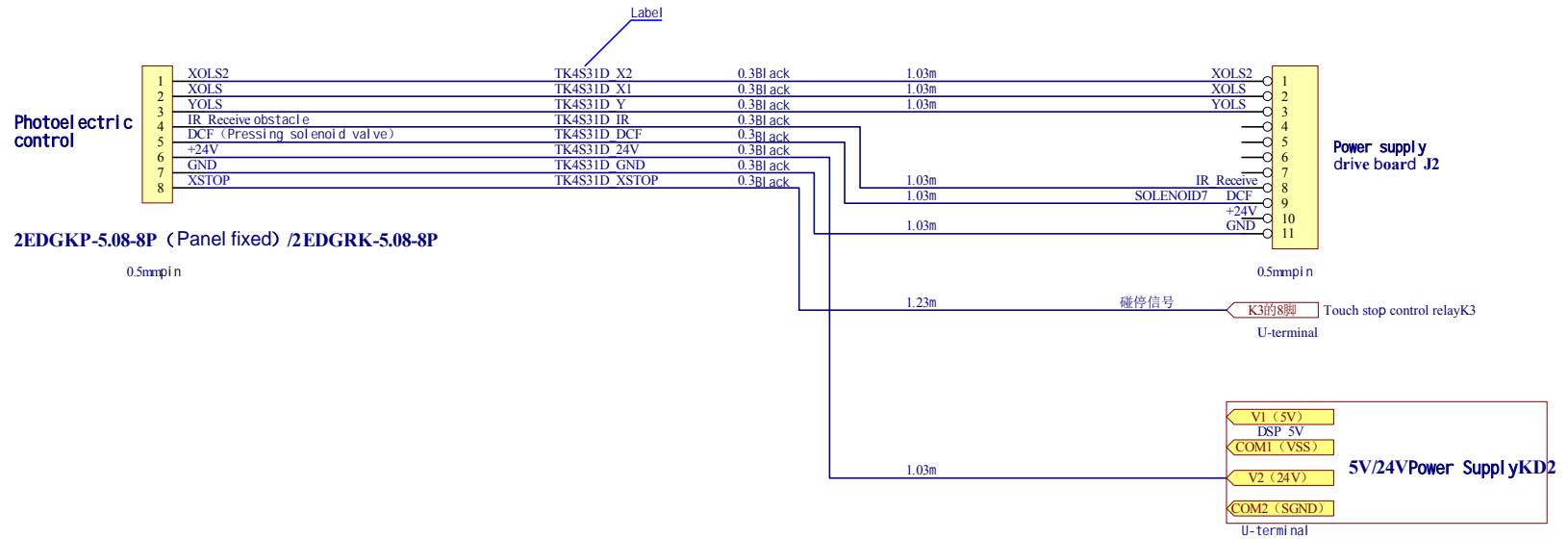
TK4S-Pause control cableTK4S30D



注：线长仅供参考，线两端做好标识

Title		
TK4S-Pause control cableTK4S30D		
Size	Number	Revision
A4		
Date:	8-Jan-2020	Sheet of
File:	J:\E盘文件\TK4S机型\TK4S 电器装配接线图\TK4S 电器接线图.Ddb	1/1

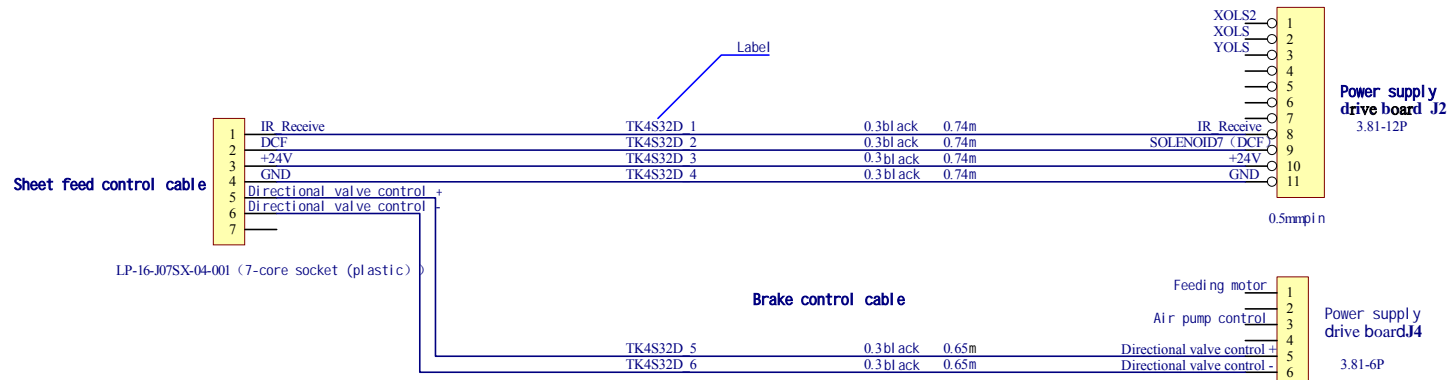
TK4S- Photoelectric control cableTK4S31D



注：线长仅供参考，线两端做好标识

Title		
TK4S- Photoelectric control cableTK4S31D		
Size	Number	Revision
A4		
Date:	8-Jan-2020	Sheet of
File:	J:\E盘文件\TK4S机型\TK4S 电器装配接线图.dwg	Drawn By: TK4S 电器接线图.Ddb

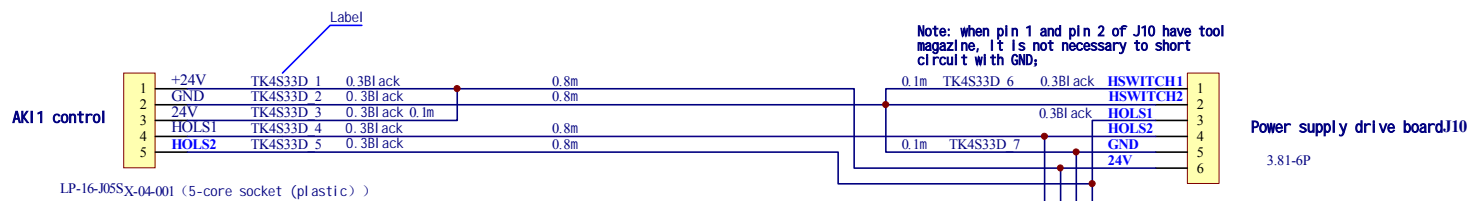
TK4S-Sheet feed control cableTK4S32D



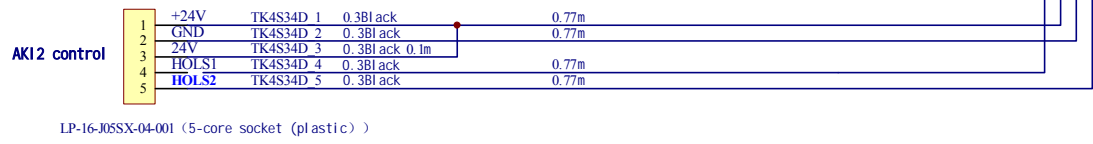
注：线长仅供参考，线两端做好标识

TK4S-Sheet feed control cableTK4S32D		
Size	Number	Revision
A4		
Date:	8-Jan-2020	Sheet of
File:	J:\E盘文件\TK4S机型\TK4S 电器装配接线图\TK4S 电器接线图.Ddb	Drawn By:

TK4S-AK1 control cableTK4S33D



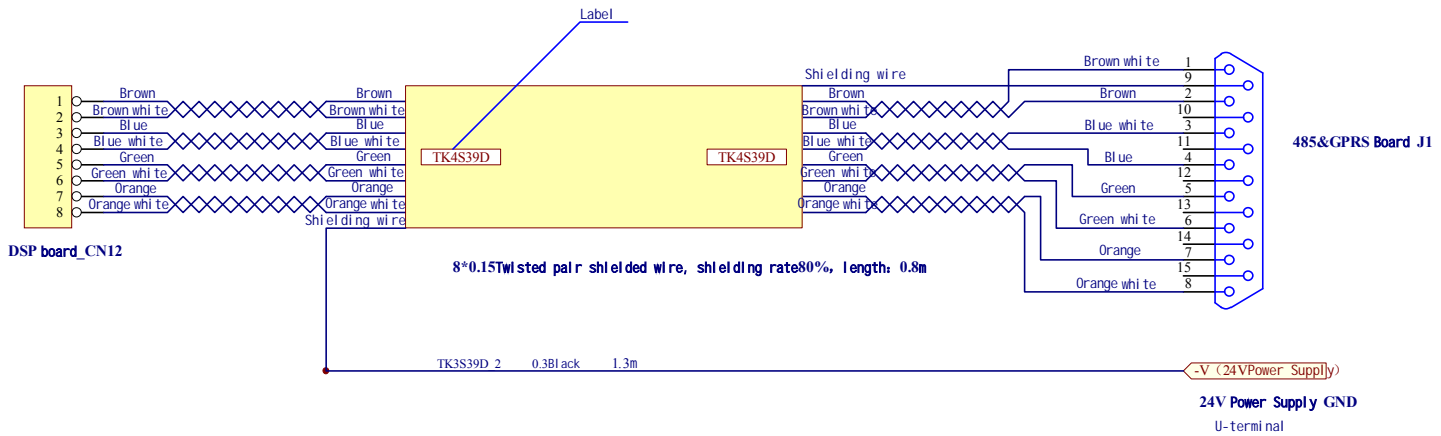
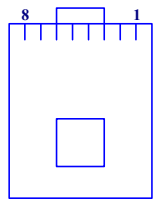
TK4S-AK2 control cableTK4S34D



注：线长仅供参考，线两端做好标识

TK4S-AK1 control cableTK4S33D		
Size	Number	Revision
A4		
Date:	8-Jan-2020	Sheet of
File:	JWF盘文件\TK4S机型\TK4S 电器装配接线图\TK4S 电器接线图.Ddb	

TK4S-485 & GPRS board J1 communication cable TK4S39D

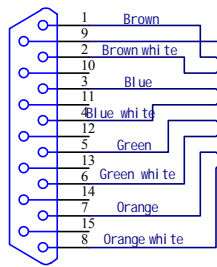


注：线长仅供参考，线两端做好标识

Title		
TK4S-485 & GPRS board J1 communication cable TK4S39D		
Size	Number	Revision
A4		
Date:	8-Jan-2020	Sheet of
File:	JWF盘文件\TK4S机型\TK4S 电器装配接线图.dwg	Drawn By: TK4S 电器接线图.Ddb

TK4S-485 & GPRS board J2 communication cable TK4S40D

485 & GPRS board J2



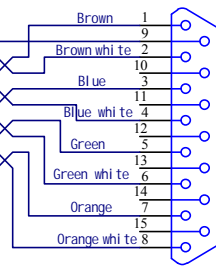
Shielding wire

TK4S40D

TK4S40D

8*0.15Twisted pair shielded wire, shielding rate80%, length: 0.45m

Shielding wire



PC communication

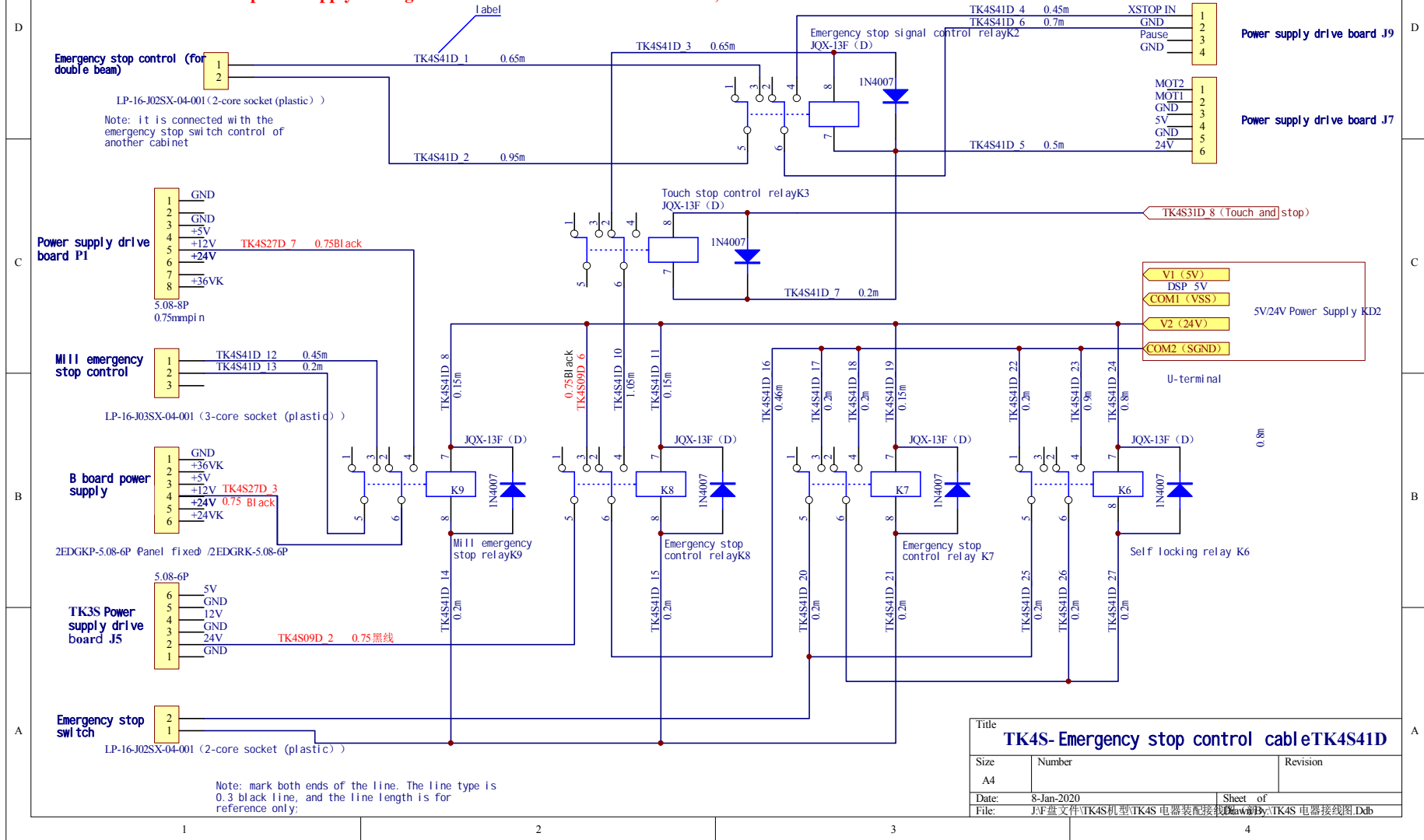
DB15 (male) + copper column

注：线长仅供参考，线两端做好标识

Title		
TK4S-485 & GPRS board J2 communication cable TK4S40D		
Size	Number	Revision
A4		
Date:	8-Jan-2020	Sheet of
File:	J:\E盘文件\TK4S机型\TK4S 电器装配接线图.dwg	Drawn By: TK4S 电器接线图.Ddb

TK4S- Emergency stop control cableTK4S41D

Note: d5 and tvs17 on tk3s power supply driving board must be removed for this circuit;



Title		
TK4S- Emergency stop control cableTK4S41D		
Size	Number	Revision
A4		
Date:	8-Jan-2020	Sheet of
File:	J\F盘文件\TK4S机型\TK4S 电器装配接线图	Drawn By: TK4S 电器接线图.Ddb

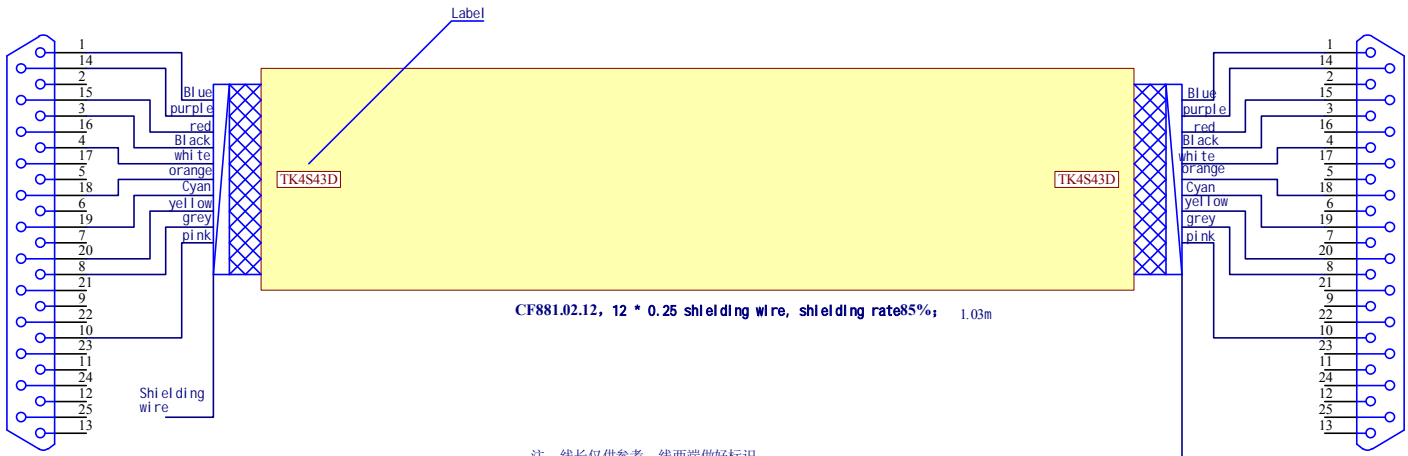
TK4S-Auxiliary motor power cable TK4S42D



Title		
TK4S-Auxiliary motor power cable TK4S42D		
Size	Number	Revision
A4		
Date:	8-Jan-2020	Sheet of
File:	J:\E盘文件\TK4S机型\TK4S 电器装配接线图\TK4S 电器接线图.Ddb	

TK4S-Mill control cable TK4S43D

BK3_C board J6

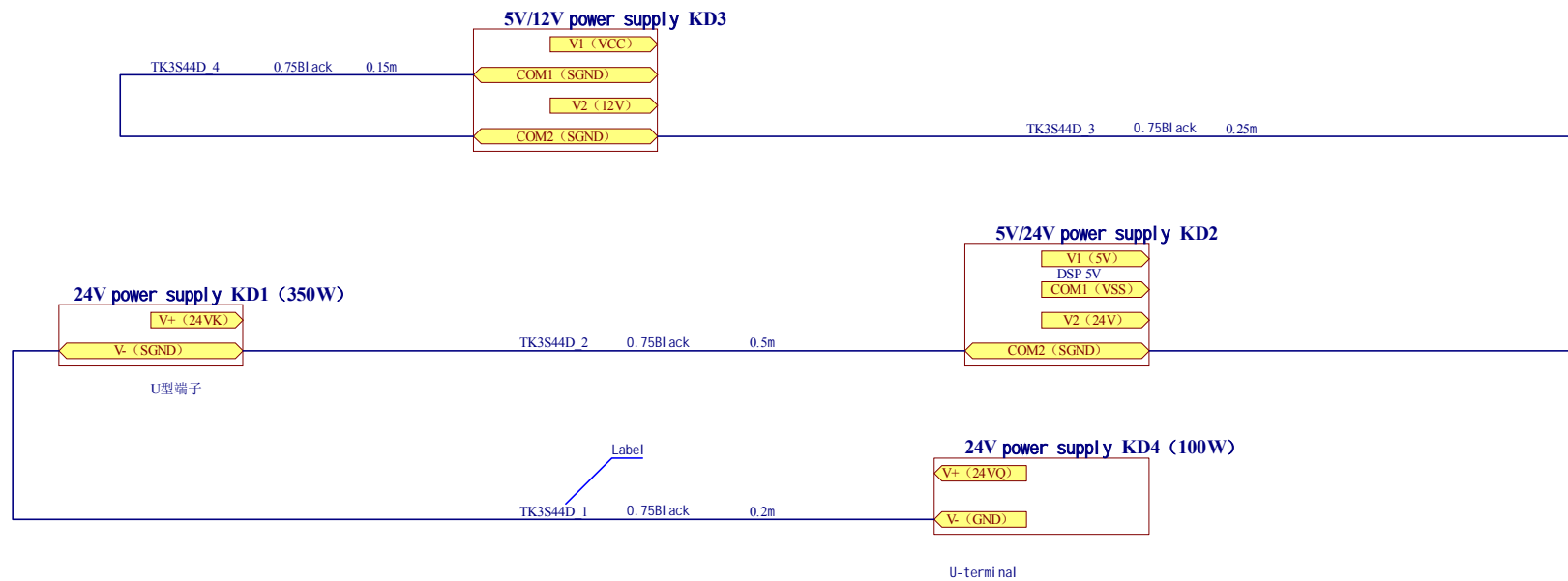


屏蔽线 外壳

Case transfer
DB25 male + stud

Title		
TK4S-Mill control cable TK4S43D		
Size	Number	Revision
A4		
Date:	8-Jan-2020	Sheet of
File:	J:\E盘文件\TK4S机型\TK4S 电器装配接线图.dwg	Drawn By: TK4S 电器接线图.Ddb

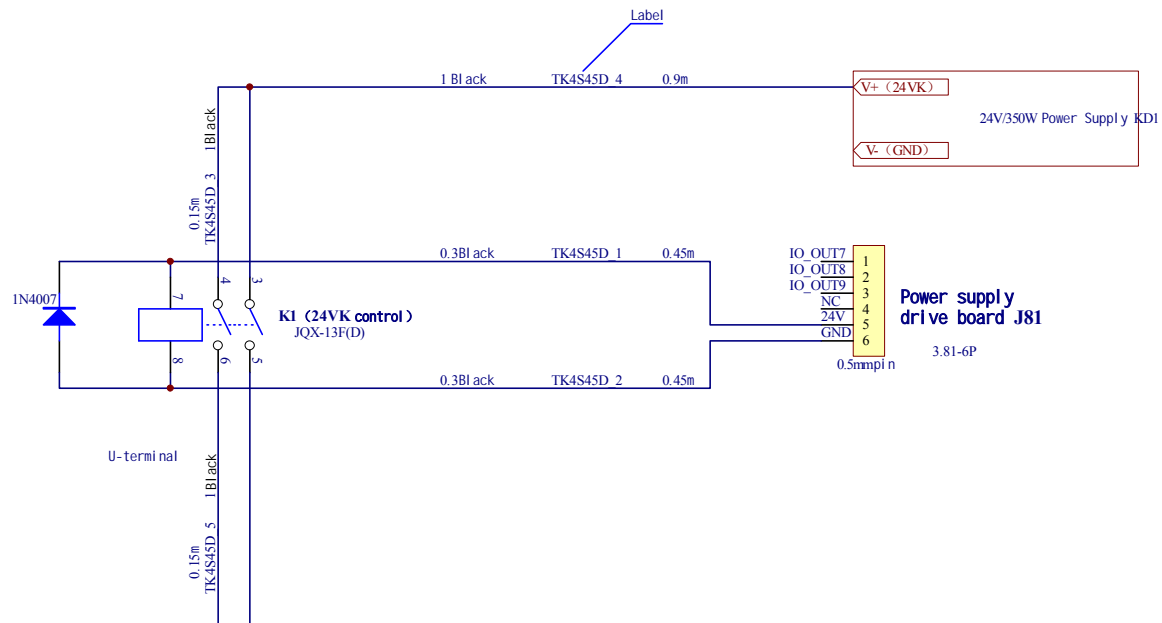
TK3S-power supply ground wireTK3S44D



注：
1、线两端做好标识
注：线长仅供参考

Title		
TK3S-power supply ground wireTK3S44D		
Size	Number	Revision
A4		
Date:	8-Jan-2020	Sheet of
File:	J:\E盘文件\TK4S机型\TK4S 电器装配接线图.dwg	TK4S 电器接线图.Ddb

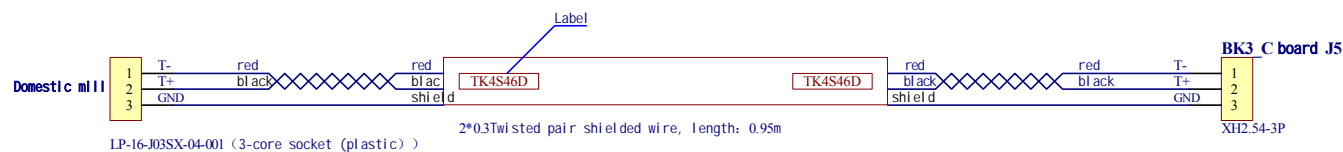
TK4S-24vk power control cableTK4S45D



注：线长仅供参考，线两端做好标识

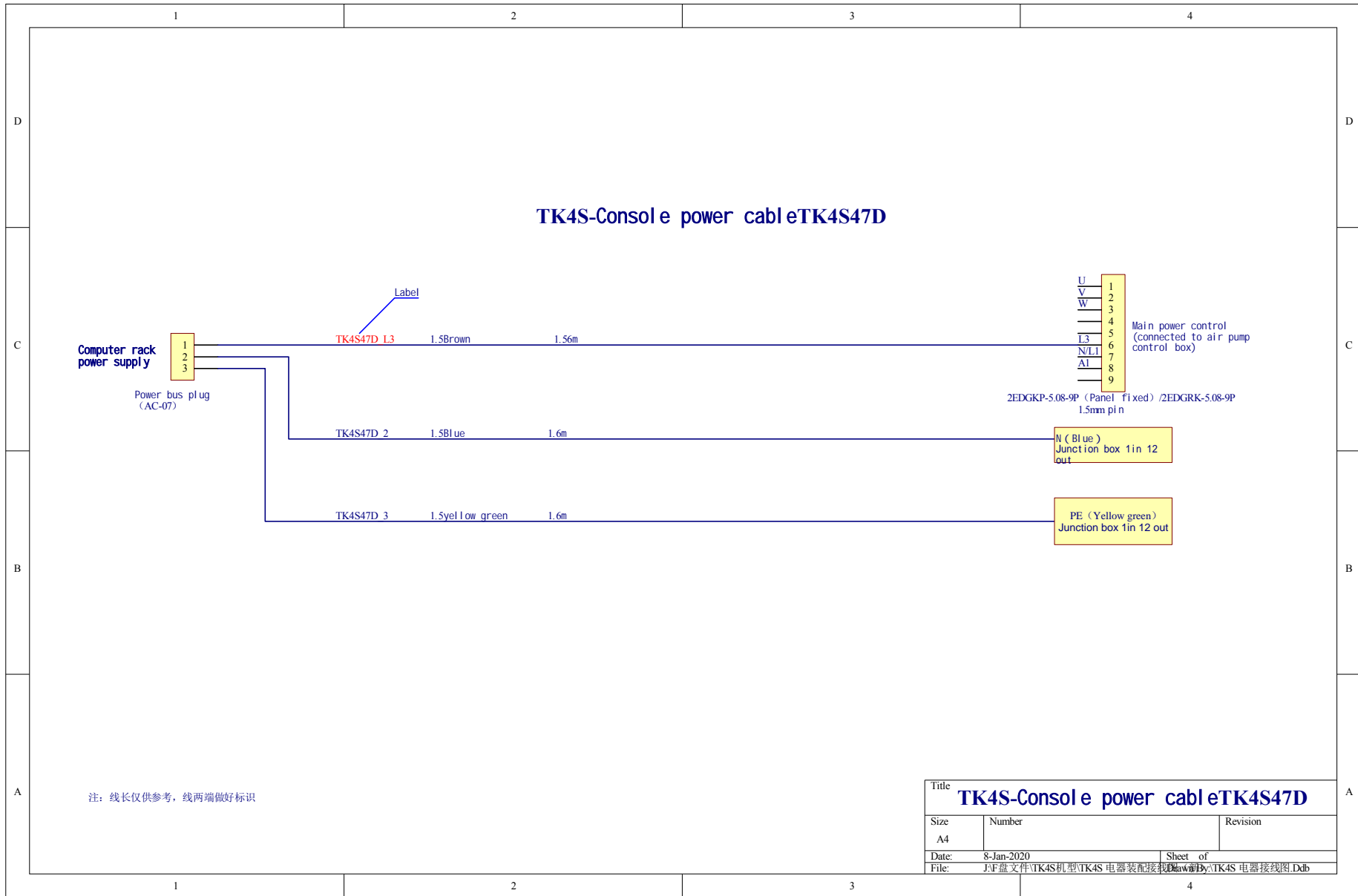
Title		
TK4S-24vk power control cableTK4S45D		
Size	Number	Revision
A4		
Date:	8-Jan-2020	Sheet of
File:	J:\E盘文件\TK4S机型\TK4S 电器装配接线图\TK4S 电器接线图.Ddb	Drawn By:

TK4S-domestic mill communication cableTK4S46D



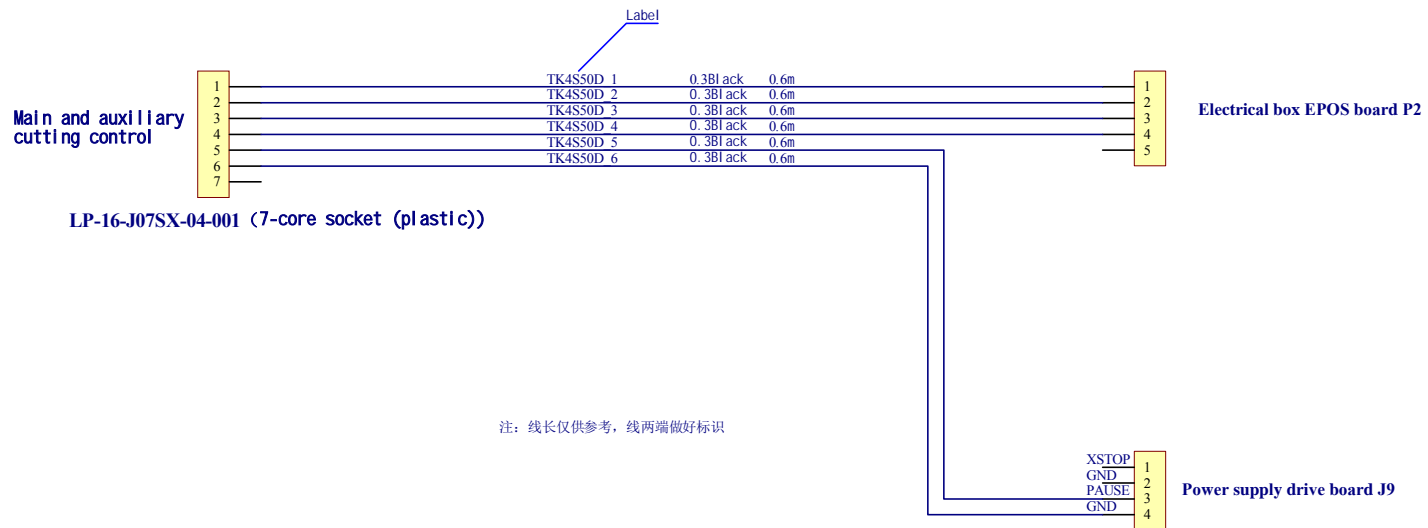
注：线长仅供参考，线两端做好标识

Title		
TK4S-domestic mill communication cableTK4S46D		
Size	Number	Revision
A4		
Date:	8-Jan-2020	Sheet of
File:	J:\E盘文件\TK4S机型\TK4S 电器装配接线图\TK4S 电器接线图.Ddb	1/1



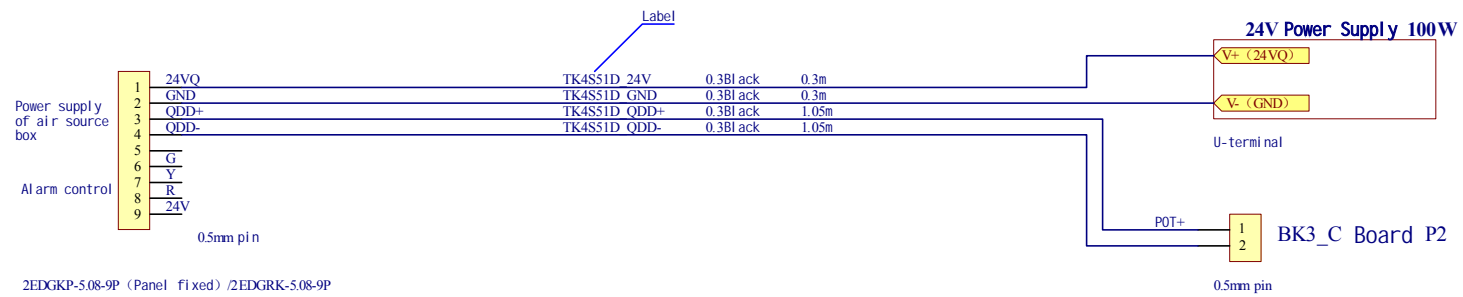
Title TK4S-Console power cableTK4S47D		
Size A4	Number	Revision
Date: 8-Jan-2020	Sheet of	
File: J:\E盘文件\TK4S机型\TK4S 电器装配接线图\TK4S 电器接线图.Ddb		

TK4S-Main and auxiliary cutting control cableTK4S50D



Title		
TK4S-Main and auxiliary cutting control cableTK4S50D		
Size	Number	Revision
A4		
Date:	8-Jan-2020	Sheet of
File:	J:\F盘文件\TK4S机型\TK4S 电器装配接线图\TK4S 电器接线图.Ddb	

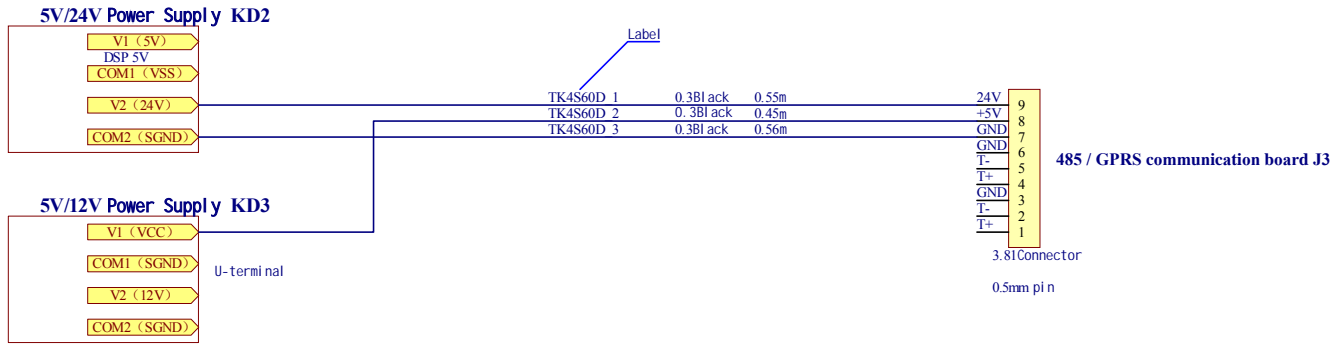
TK4S-Air source box control cableTK4S51D



注：线长仅供参考，线两端做好标识

Title		
TK4S-Air source box control cableTK4S51D		
Size	Number	Revision
A4		
Date:	8-Jan-2020	Sheet of
File:	J:\E盘文件\TK4S机型\TK4S 电器装配接线图\TK4S 电器接线图.Ddb	Drawn By:

TK4S-485 / GPRS board power cable TK4S60D (Two in one board selection)

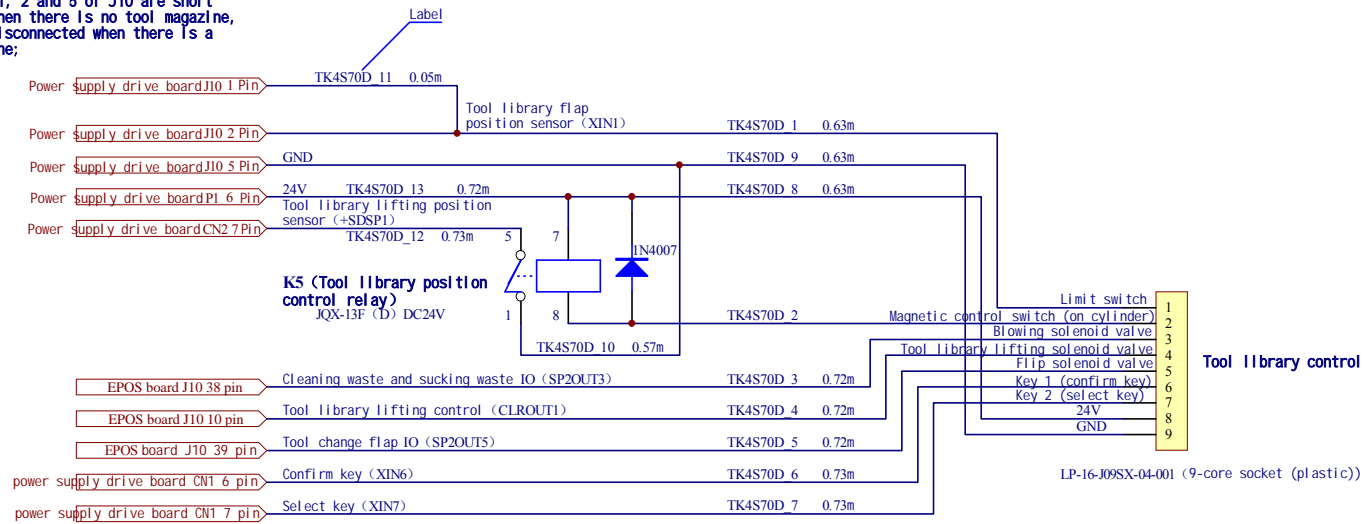


注：
1、线两端做好标识
注：线长仅供参考

Title		
TK4S-485 / GPRS board power cable TK4S60D (Two in one board selection)		
Size	Number	Revision
A4		
Date:	8-Jan-2020	Sheet of
File:	J:\F盘文件\TK4S机型\TK4S 电器装配接线图\TK4S 电器接线图.Ddb	

TK4S-Tool library control cableTK4S70D

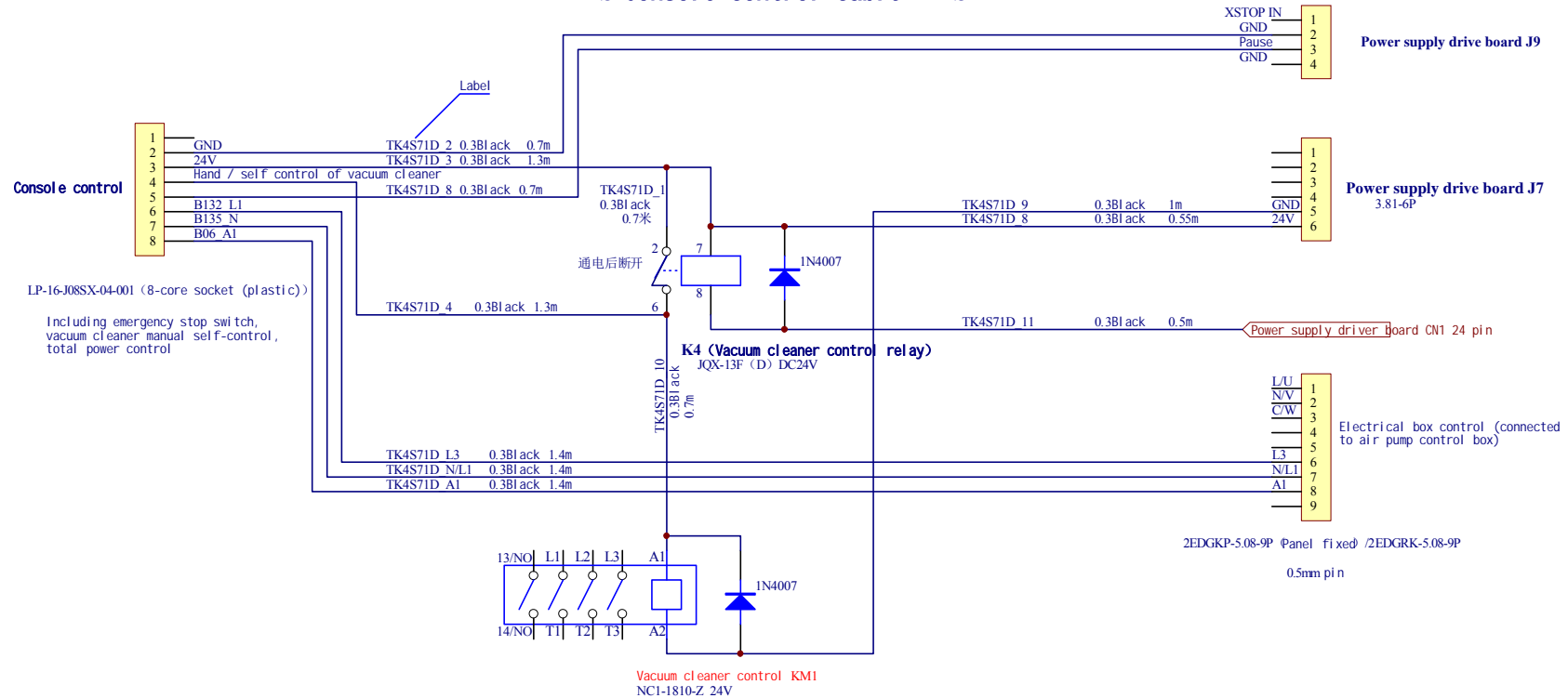
Note: pins 1, 2 and 5 of J10 are short circuited when there is no tool magazine, and it is disconnected when there is a tool magazine;



注：线长仅供参考，线两端做好标识，线型均采用0.3黑线

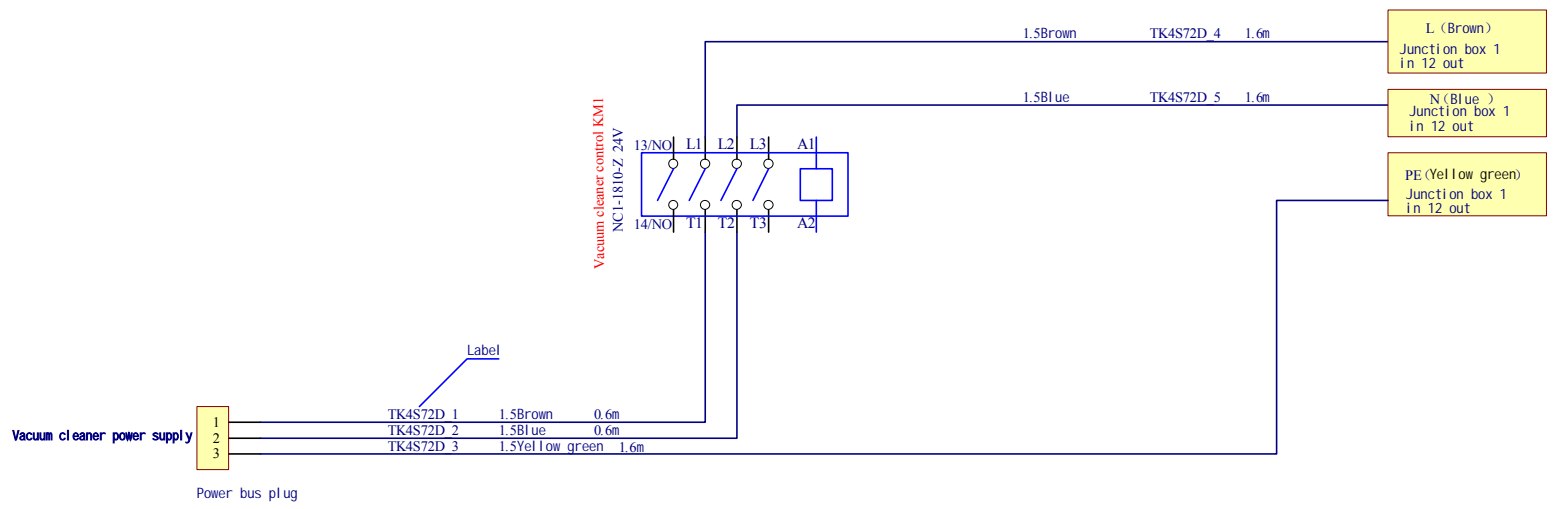
Title		
TK4S-Tool library control cableTK4S70D		
Size	Number	Revision
A4		
Date:	8-Jan-2020	Sheet of
File:	J:\E盘文件\TK4S机型\TK4S 电器装配接线图\TK4S 电器接线图.Ddb	Drawn By:

TK4S-Console control cable TK4S71D



Title		
TK4S-Console control cable TK4S71D		
Size	Number	Revision
A4		
Date:	8-Jan-2020	Sheet of
File:	J:\F盘文件\TK4S机型\TK4S 电器装配接线图\TK4S 电器接线图.Ddb	

TK4S-Vacuum cleaner power cableTK4S72D

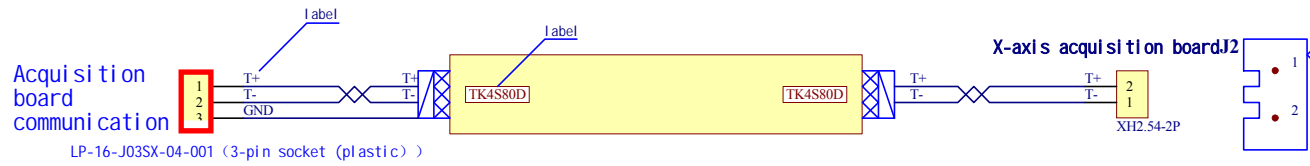


注：线长仅供参考，线两端做好标识

Title		
TK4S-Vacuum cleaner power cableTK4S72D		
Size	Number	Revision
A4		
Date:	8-Jan-2020	Sheet of
File:	JWF盘文件\TK4S机型\TK4S 电器装配接线图.dwg	Drawn By: TK4S 电器接线图.Ddb

Selection cable

TK4S-X-axis acquisition board J2 control cableTK4S80D



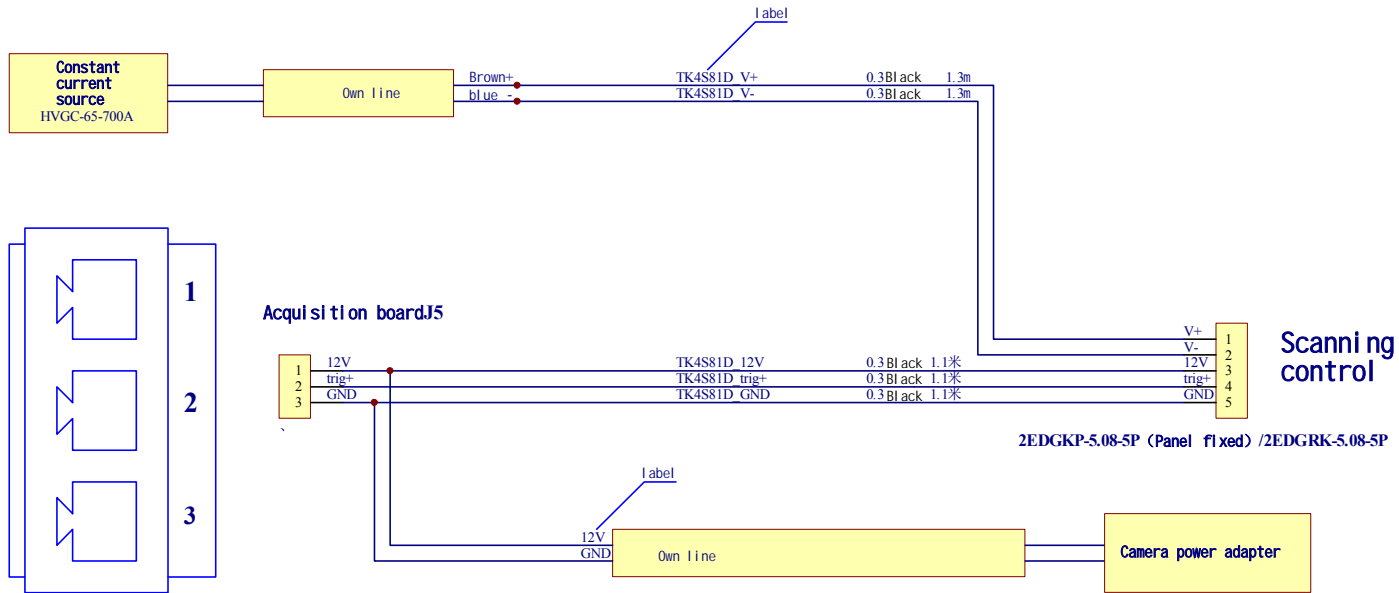
LP-16-J03SX-04-001 (3-pin socket (plastic))

注：线长仅供参考，线两端做好标识

Title		
TK4S-X-axis acquisition board J2 control cableTK4S80D		
Size	Number	Revision
A4		
Date:	8-Jan-2020	Sheet of
File:	JWF盘文件\TK4S机型\TK4S 电器装配接线图.dwg	Drawn By: TK4S 电器接线图.Ddb

Selection cable

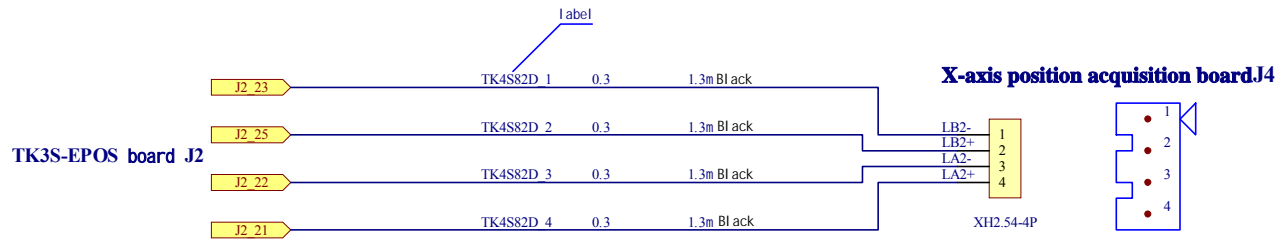
TK4S-Camera control cableTK4S81D



注：线长仅供参考，注：线长仅供参考，线两端做好标识

Title		
TK4S-Camera control cableTK4S81D		
Size	Number	Revision
A4		
Date:	8-Jan-2020	Sheet of
File:	J:\E盘文件\TK4S机型\TK4S 电器装配接线图\TK4S 电器接线图.Ddb	1/1

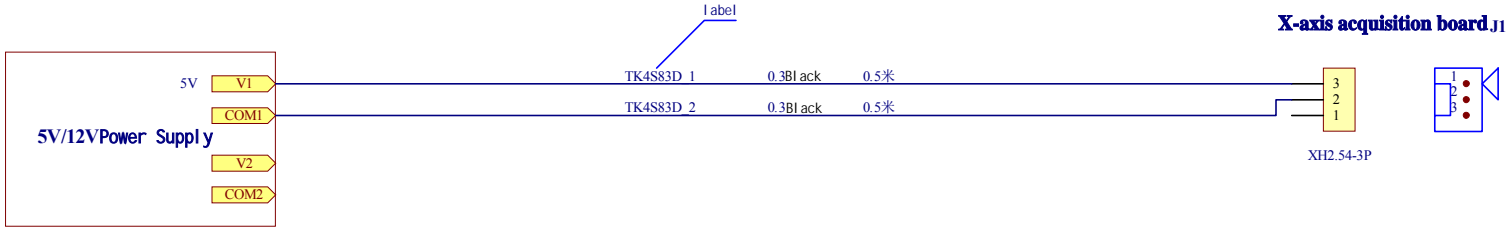
TK4S-J4 control cabel of x-axis acquisition boardTK4S82D



注：线长仅供参考，线两端做好标识

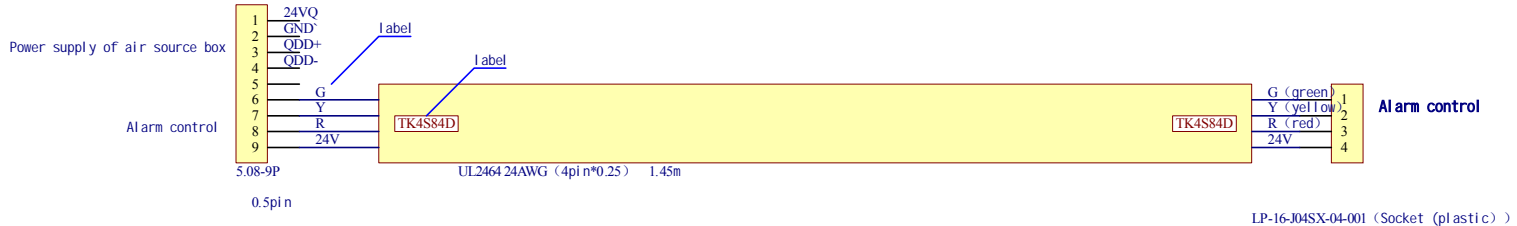
Title		
TK4S-J4 control cabel of x-axis acquisition boardTK4S82D		
Size	Number	Revision
A4		
Date:	8-Jan-2020	Sheet of
File:	JWF文件\TK4S机型\TK4S 电器装配接线图\TK4S 电器接线图.Ddb	

TK4S-X-axis acquisition board powercabel TK4S83D



Title		
TK4S-X-axis acquisition board powercabel TK4S83D		
Size	Number	Revision
A4		
Date:	8-Jan-2020	Sheet of
File:	J:\E盘文件\TK4S机型\TK4S 电器装配接线图\TK4S 电器接线图.Ddb	

TK4S-Alarm control cableTK4S84D



Title		
TK4S-Alarm control cableTK4S84D		
Size	Number	Revision
A4		
Date:	8-Jan-2020	Sheet of
File:	J:\E盘文件\TK4S机型\TK4S 电器装配接线图\TK4S 电器接线图.Ddb	