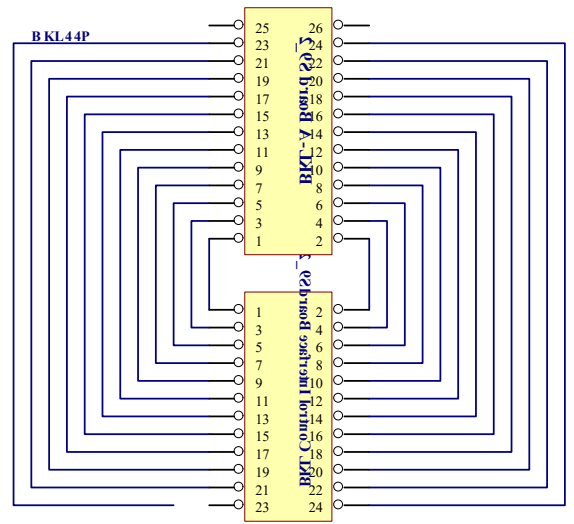
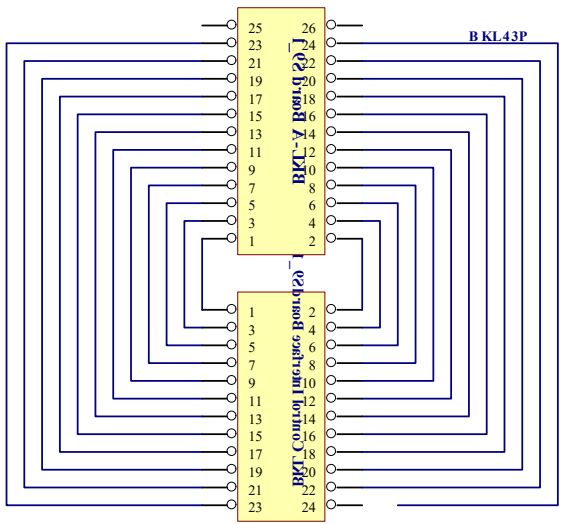
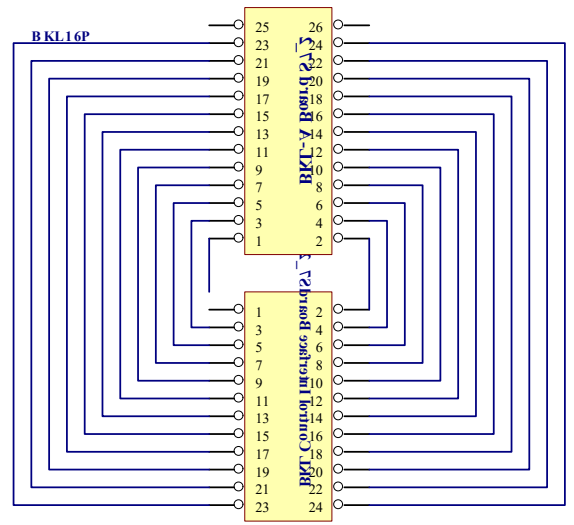
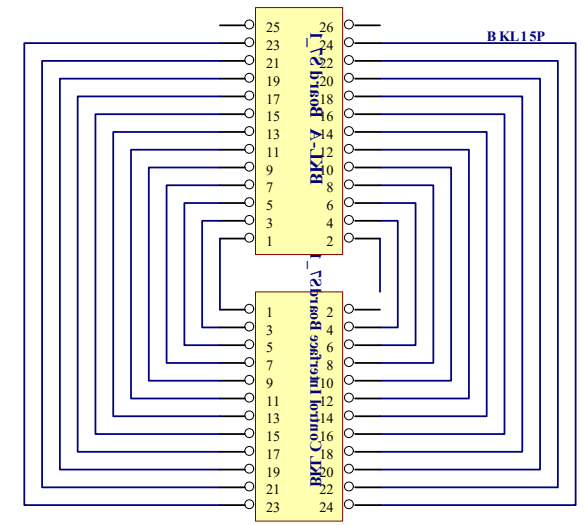
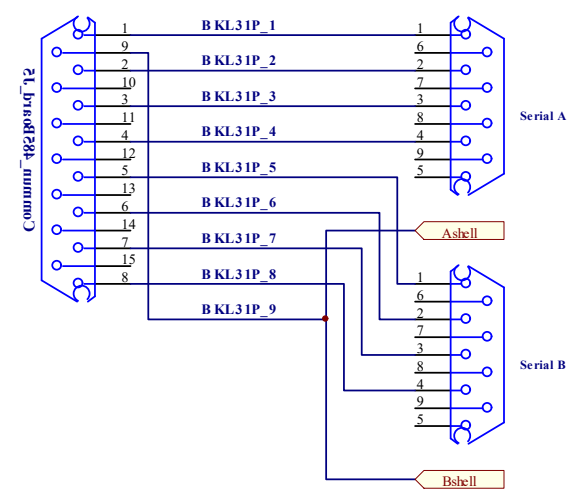


Title		
BKL machine wiring assembly drawing		
Size	Number	Revision
B		
Date:	11-Sep-2013	Sheet of
File:	E:\新建文件夹 (2)\BKL 英文\BKL 整机布线图.dwg	Drawn By:

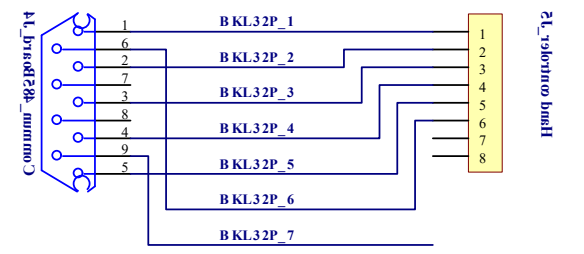
X Wiring



Connection wiring



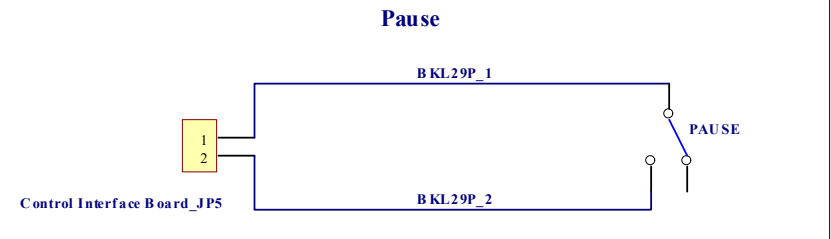
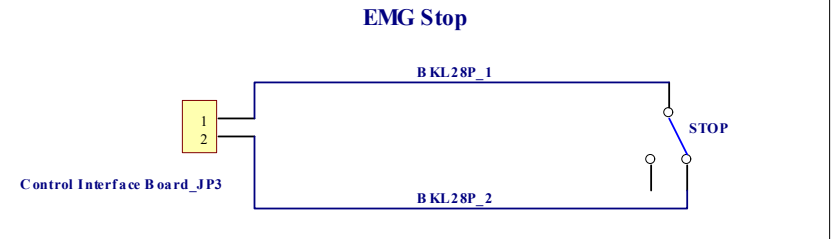
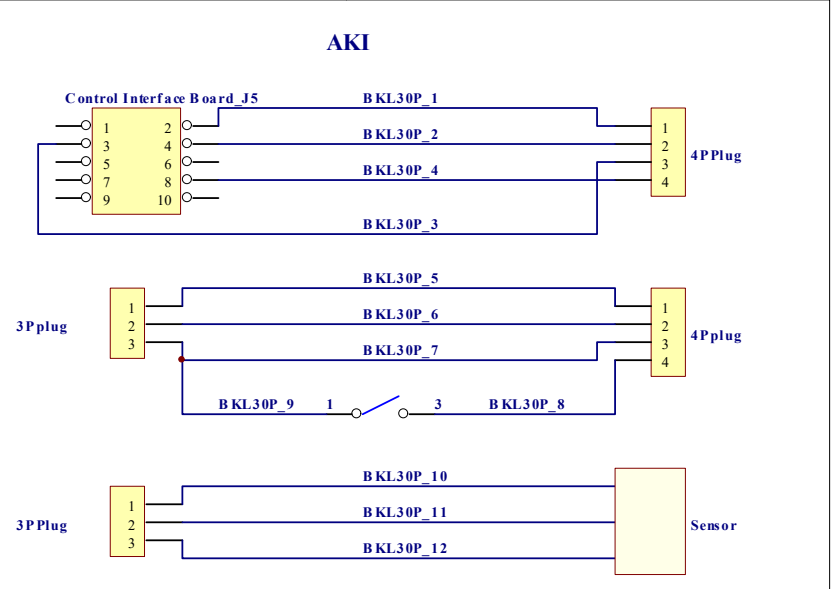
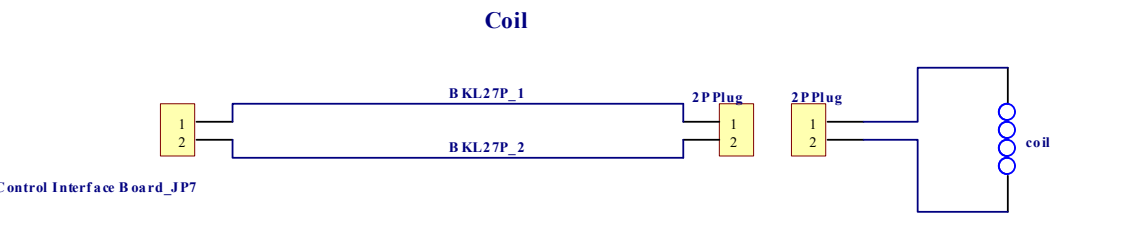
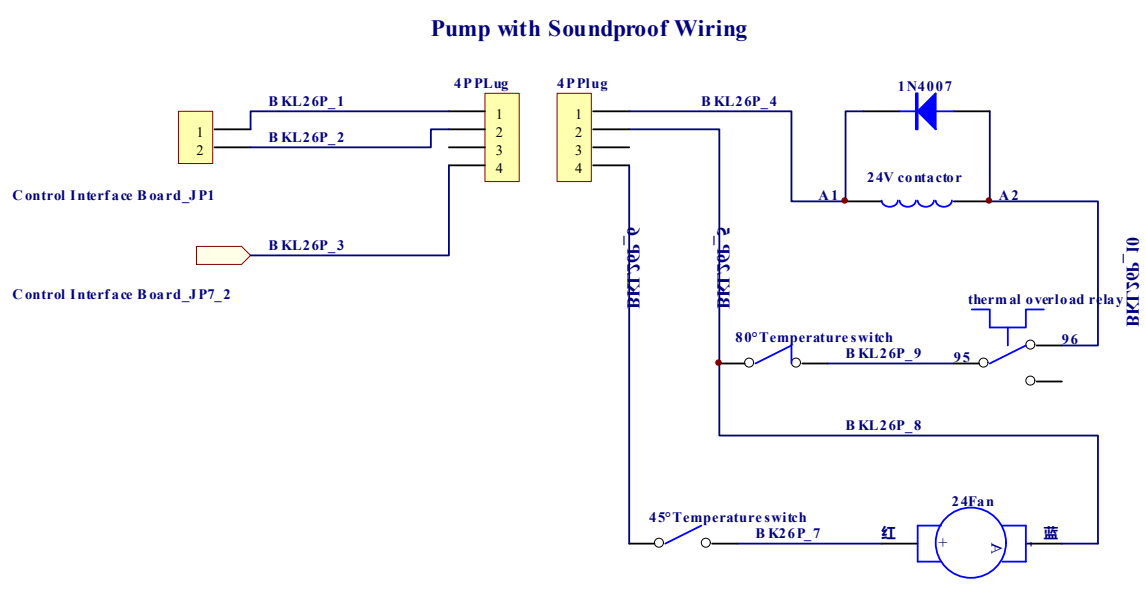
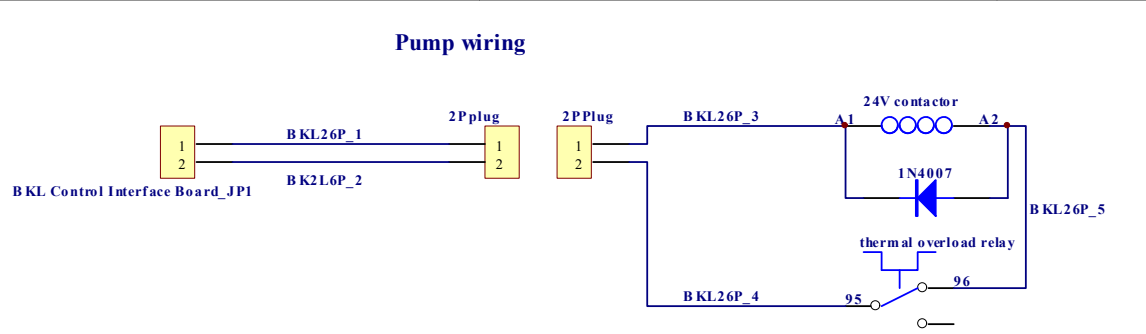
Hand Controller



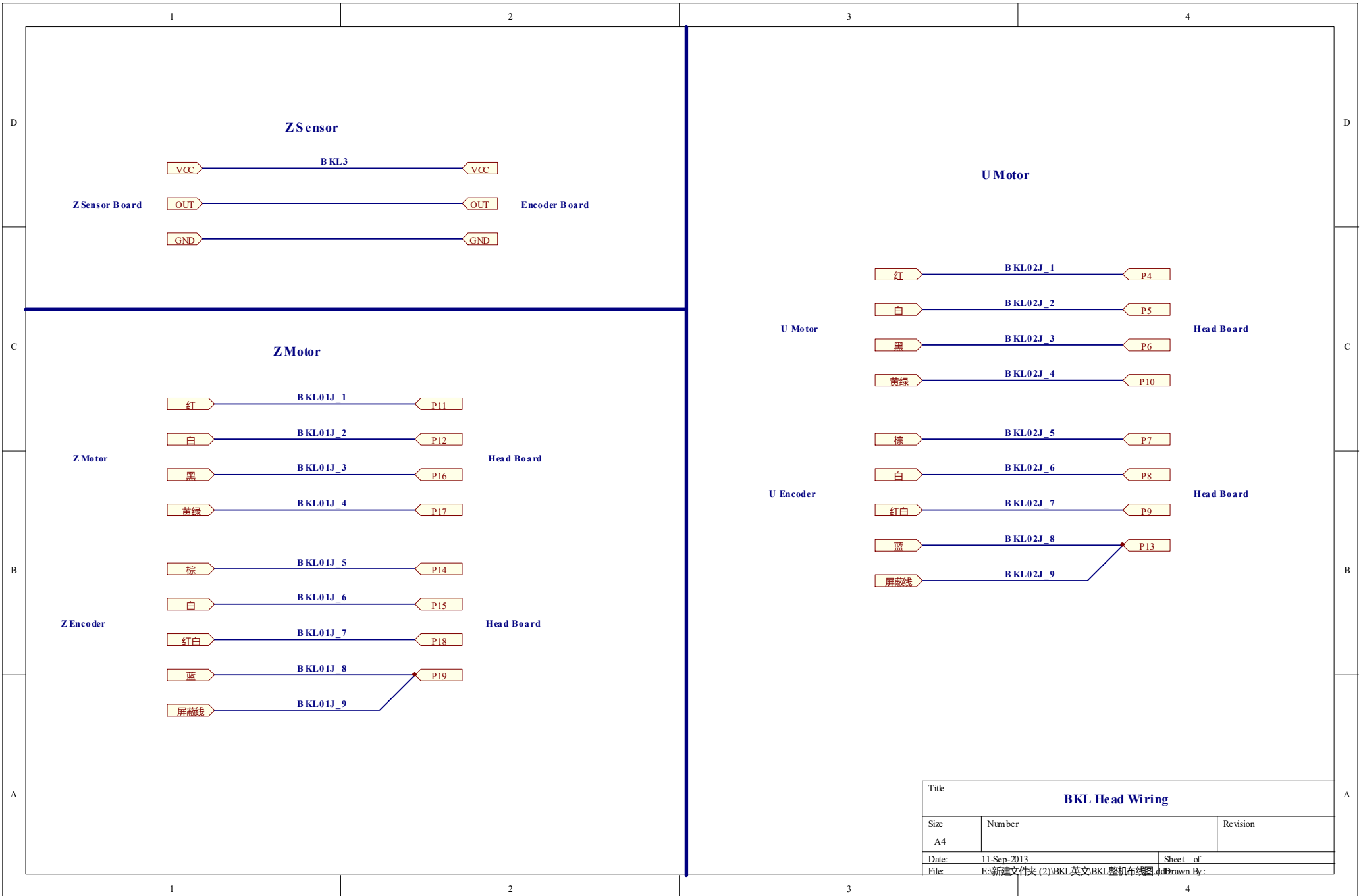
GND

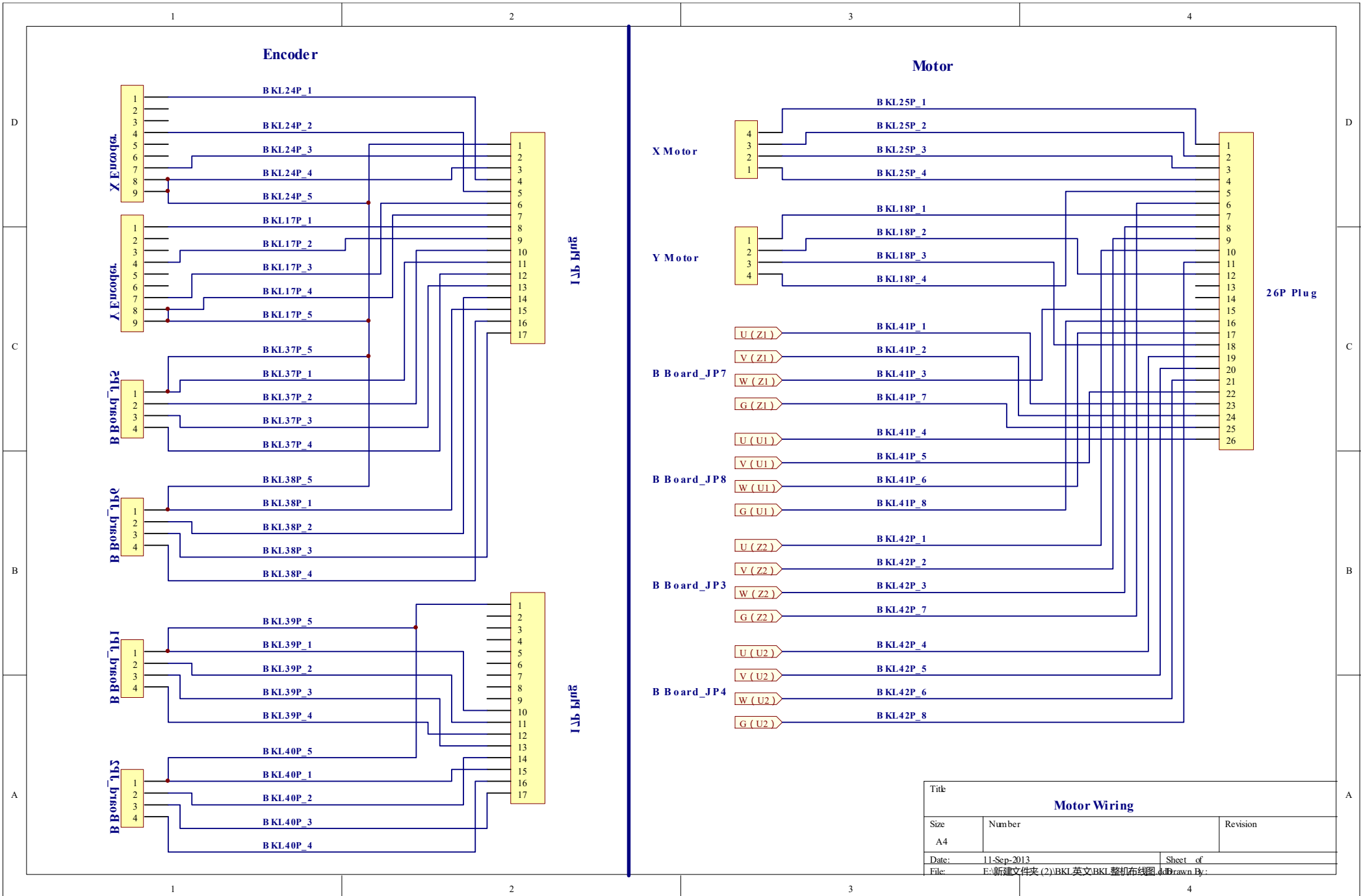


Title		
BKL Control Interface Board		
Size	Number	Revision
A4		
Date:	11-Sep-2013	Sheet of
File:	E:\新建文件夹 (2)\BKL 英文\BKL 整机布线图.dwg Drawn By:	

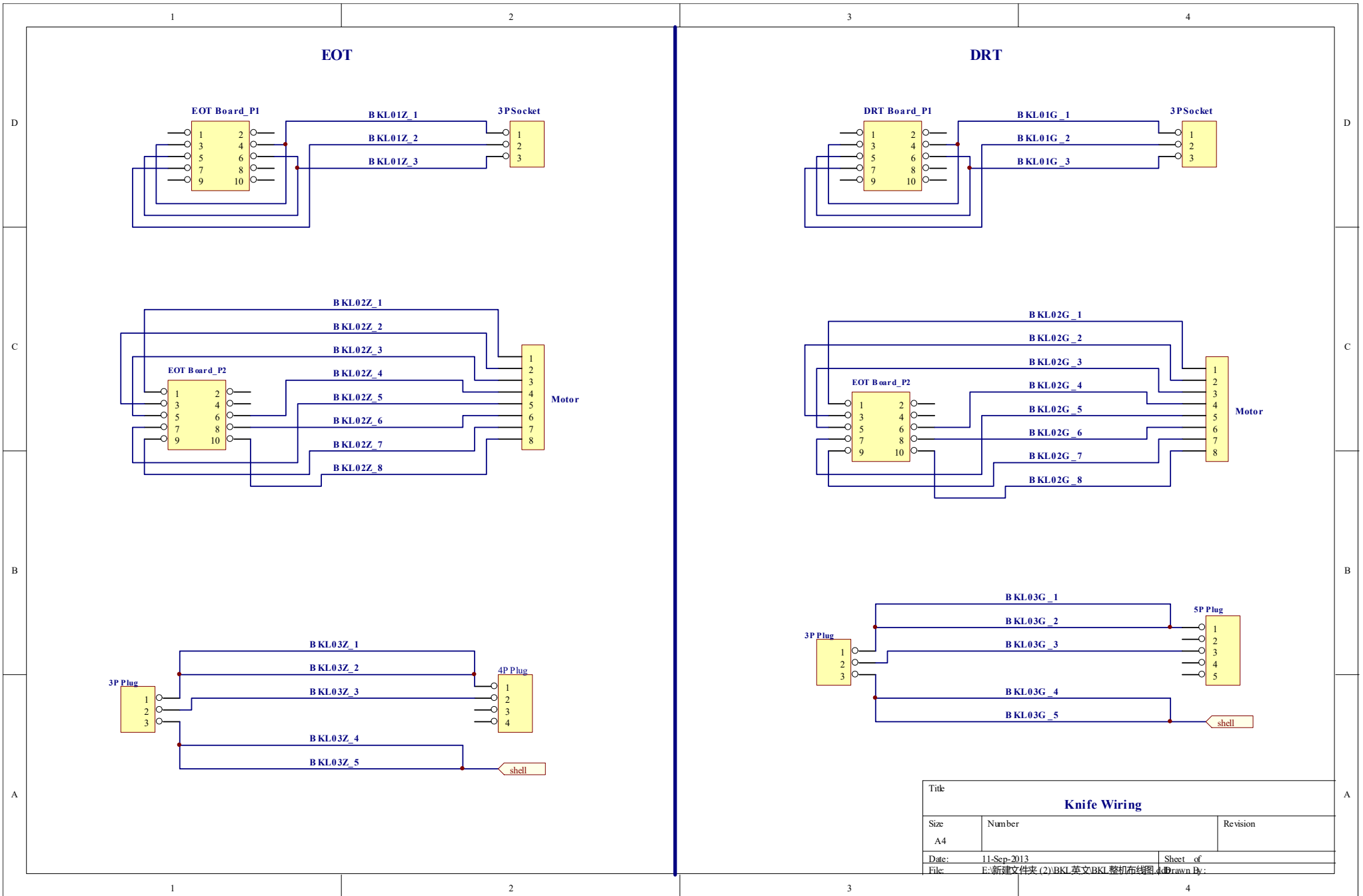


Title			B KL Control Interface Board Circuit Diagram		
Size	Number		Revision		
A4					
Date:	11-Sep-2013		Sheet of		
File:	E:\新建文件夹 (2)\BKL 英文BKL 整机布线图.d		Drawn By:		

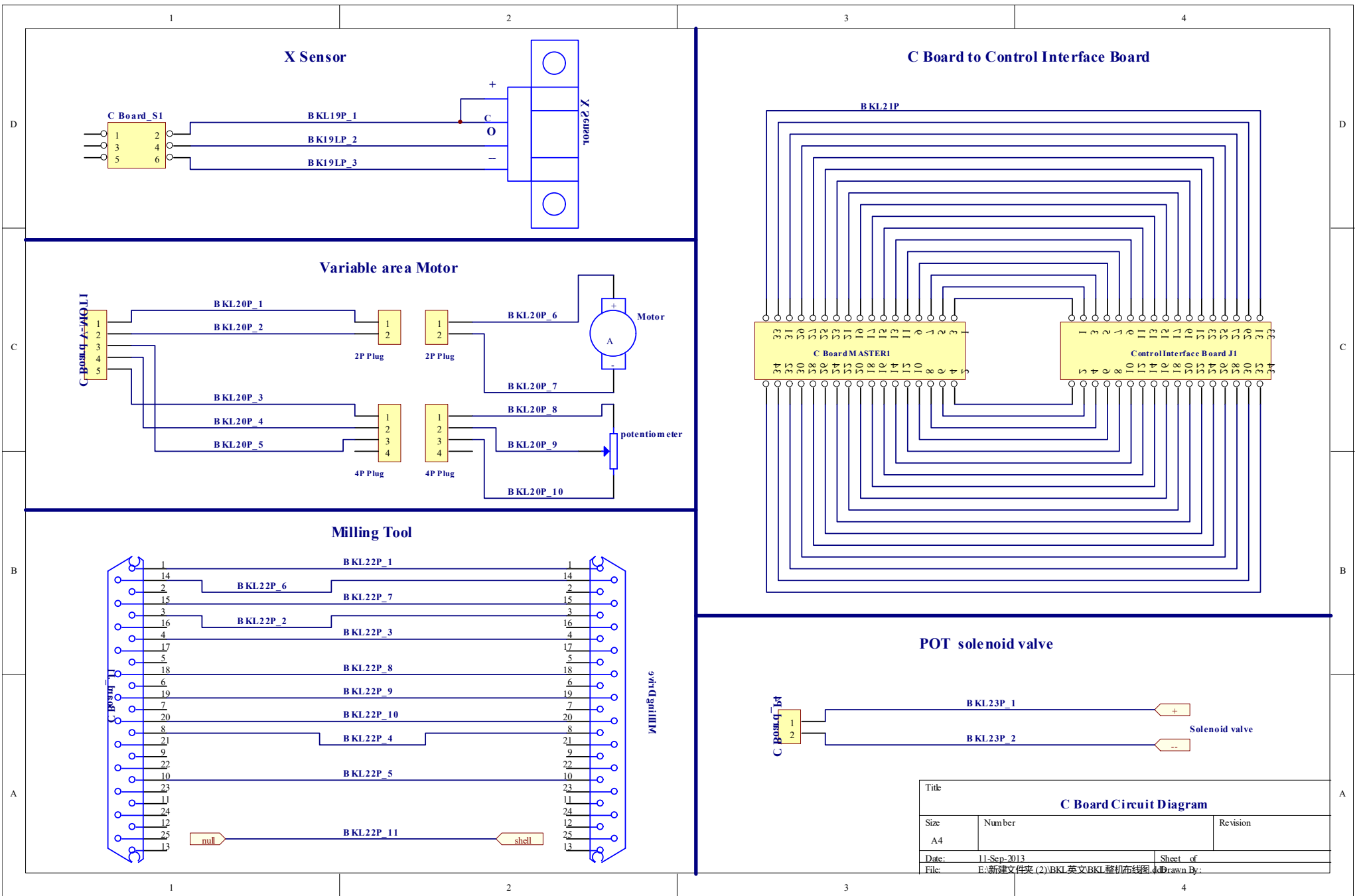




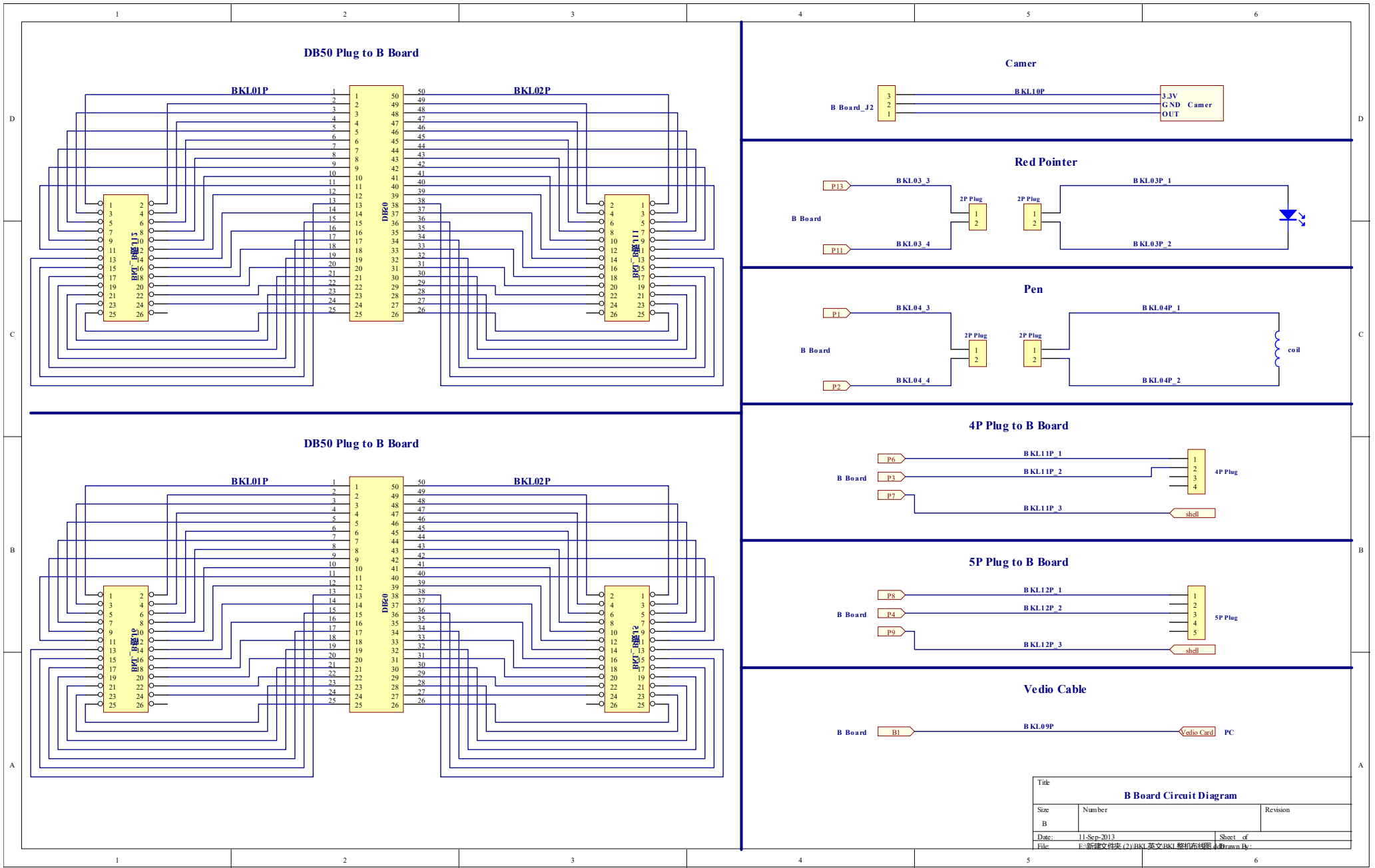
Title		
Motor Wiring		
Size	Number	Revision
A4		
Date:	11-Sep-2013	Sheet of
File:	E:\新建文件夹 (2)\BKL 英文\BKL 整机布线图.dwg Drawn By:	



Title		
Knife Wiring		
Size	Number	Revision
A4		
Date:	11-Sep-2013	Sheet of
File:	E:\新建文件夹 (2)\BKL 英文BKL 整机布线图.dwg Drawn By:	

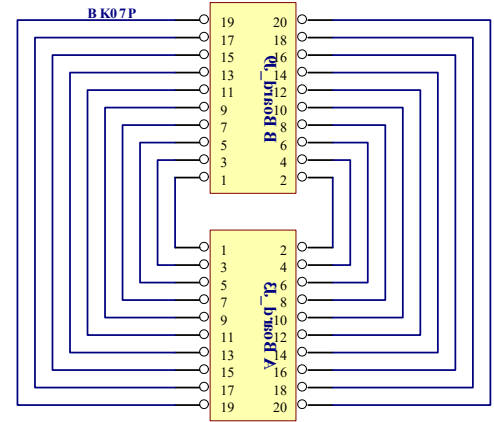
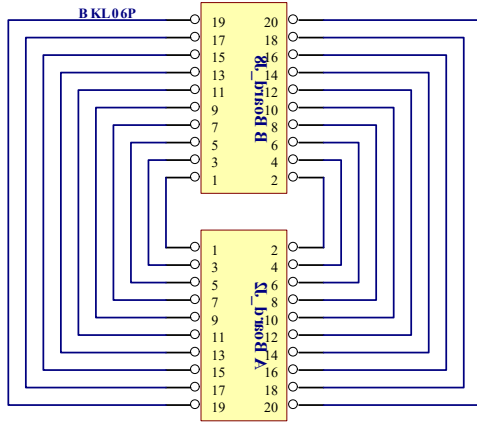
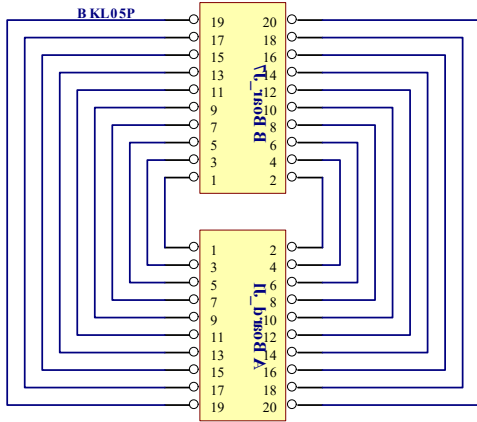


Title			C Board Circuit Diagram		
Size	Number		Revision		
A4					
Date:	11-Sep-2013		Sheet of		
File:	E:\新建文件夹 (2)\BKL 英文BKL整机布线图		Drawn By:		

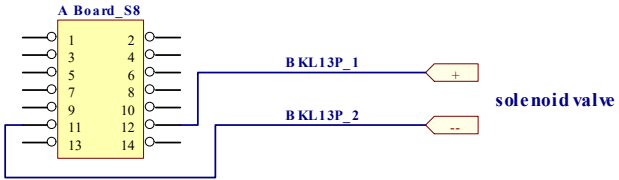


Title		
B Board Circuit Diagram		
Size	Number	Revision
B		
Date:	11-Sep-2013	Sheet of
File:	E:\新建文件夹 (2)\BKL 英文\BKL 整板布线图.d	Drawn By:

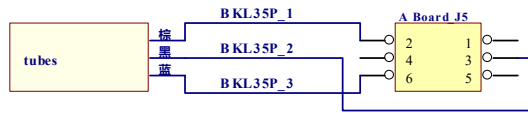
B Board to A Board



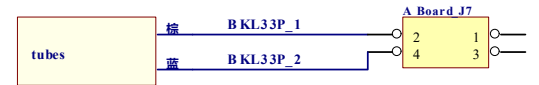
Feeding solenoid valve



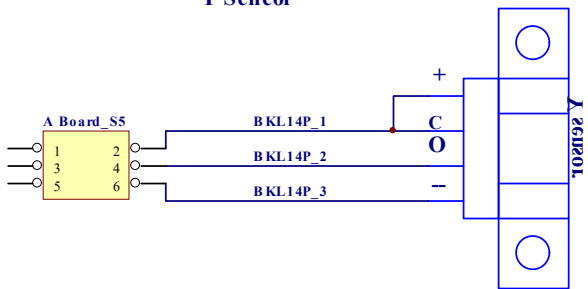
Tubes



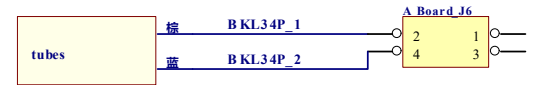
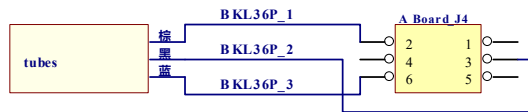
Tubes



Y Sensor



Tubes



Title

A Board Circuit Diagram

Size	Number	Revision
A4		
Date:	11-Sep-2013	Sheet of
File:	E:\新建文件夹 (2)\BKL 英文\BKL 整机布线图.d	
	Drawn By:	

BKL Machine Wires

SN	SIZE	COLOUR	LENGTH	NOTE
BKL01J_1	4*0.5 mm ² Shield cable	Black1		Z Motor
BKL01J_2		Black2		
BKL01J_3		Black3		
BKL01J_4		Yellow & Green		
BKL01J_5	5 芯 2.54Ribbon cable	Gray		Z Encoder
BKL01J_6				
BKL01J_7				
BKL01J_8				
BKL01J_9				
BKL02J_1	4*0.5 mm ² Shield cable	Black1		U Motor
BKL02J_2		Black2		
BKL02J_3		Black3		
BKL02J_4		Yellow & Green		
BKL02J_5	5 芯 2.54Ribbon cable	Gray		U Encoder
BKL02J_6				
BKL02J_7				
BKL02J_8				
BKL02J_9				
BK03J	3 芯 2.54Ribbon cable	Gray		tubs
BKL01Z_1	0.75mm ² Single strand	Red		EOT Board
BKL01Z_2	0.75mm ² Single strand	Blue		
BKL01Z_3	0.75mm ² Single strand	Black		

BKL02Z_1	0.3mm ² Single strand	Red&Gray		EOT Motor
BKL02Z_2	0.3mm ² Single strand	White&Gray		
BKL02Z_3	0.3mm ² Single strand	Black&Gray		
BKL02Z_4	0.75mm ² Single strand	White		
BKL02Z_5	0.3mm ² Single strand	Blue		
BKL02Z_6	0.75mm ² Single strand	Black		
BKL02Z_7	0.3mm ² Single strand	Green		
BKL02Z_8	0.75mm ² Single strand	Red		
BKL03Z_1	4*0.3mm ² Shield cable	Brown		EOT
BKL03Z_2		Blue		
BKL03Z_3		Purple		
BKL03Z_4		Black		
BKL03Z_5		shield		
BKL01G_1	0.75mm ² Single strand	Red		DRT Board
BKL01G_2	0.75mm ² Single strand	Blue		
BKL01G_3	0.75mm ² Single strand	Black		
BKL02G_1	0.3mm ² Single strand	Red&Gray		DRT Motor
BKL02G_2	0.3mm ² Single strand	White&Gray		
BKL02G_3	0.3mm ² Single strand	Black&Gray		
BKL02G_4	0.75mm ² Single strand	White		
BKL02G_5	0.3mm ² Single strand	Blue		
BKL02G_6	0.75mm ² Single strand	Black		
BKL02G_7	0.3mm ² Single strand	Green		

BKL02G_8	0.75mm ² Single strand	Red		
BKL03G_1	4*0.14mm ² Shield cable	Brown		DRT
BKL03G_2		Blue		
BKL03G_3		Purple		
BKL03G_4		Black		
BKL03G_5		shield		
BKL01P	25 芯 2.54Ribbon cable	Gray		Head
BKL02P	25 芯 2.54Ribbon cable	Gray		
BKL03P_1	0.3mm ² Single strand	Red		Red Pointer
BKL03P_2	0.3mm ² Single strand	Black		
BKL03P_3	0.3mm ² Single strand	Red		
BKL03P_4	0.3mm ² Single strand	Black		
BKL04P_1	0.3mm ² Single strand	Blue		Pen
BKL04P_2	0.3mm ² Single strand	Black		
BKL04P_3	0.3mm ² Single strand	Blue		
BKL04P_4	0.3mm ² Single strand	Black		
BKL05P	20 芯 2.54Ribbon cable	Gray		B Board to A Board
BKL06P	20 芯 2.54Ribbon cable	Gray		
BKL07P	20 芯 2.54Ribbon cable	Gray		
BKL08P	0.75mm ² Single strand	Black		GND
BKL09P	Vedio			Camera to PC
BKL10P	3 芯 2.54Ribbon cable	Gray		Camera
BKL11P_1	0.75mm ² Single strand	Red		EOT
BKL11P_2	0.75mm ² Single strand	Blue		
BKL11P_3	0.75mm ² Single strand	Black		

BKL12P_1	0.75mm ² Single strand	Red		DRT
BKL12P_2	0.75mm ² Single strand	Blue		
BKL12P_3	0.75mm ² Single strand	Black		
BKL13P_1	0.3mm ² Single strand	Red		Feeding solenoid valve
BKL13P_2	0.3mm ² Single strand	Black		
BKL14P_1	3*0.14mm ² Sheathed cable	Red		Y Sensor
BKL14P_2		White		
BKL14P_3		Black		
BKL15P	24 芯 2.54Ribbon cable	Gray		A Board to Control Interface Board
BKL16P	24 芯 2.54Ribbon cable	Gray		
BKL17P_1	4*0.3mm ² Shield cable	Brown		Y Encoder
BKL17P_2		Blue		
BKL17P_3		Purple		
BKL17P_4		Black		
BKL17P_5		shield		
BKL18P_1	4*0.5mm ² Shield cable	Black1		Y Motor
BKL18P_2		Black2		
BKL18P_3		Black3		
BKL18P_4		Yellow & Green		
BKL19P_1	3*0.14mm ² Sheathed cable	Red		X Sensor
BKL19P_2		White		
BKL19P_3		Black		
BKL20P_1	5*0.3mm ² Sheathed cable	Red		Variable area Motor
BKL20P_2		Black		
BKL20P_3		Yellow		
BKL20P_4		Blue		
BKL20P_5		White		

BKL20P_6	0.3mm ² Single strand	Red		
BKL20P_7	0.3mm ² Single strand	Black		
BKL20P_8	0.3mm ² Single strand	Yellow		
BKL20P_9	0.3mm ² Single strand	Blue		
BKL20P_10	0.3mm ² Single strand	Green		
BKL21P	34 芯 2.54Ribbon cable	Gray		C Board to Control Interface Board
BKL22P_1	16*0.5mm ² shield	Brown		Milling Tool
BKL22P_2		orange		
BKL22P_3		orange White		
BKL22P_4		Yellow		
BKL22P_5		Yellow &White		
BKL22P_6		Green		
BKL22P_7		Green& White		
BKL22P_8		Blue		
BKL22P_9		Blue&W hite		
BKL22P_10		Gray		
BKL22P_11		shield		
BKL23P_1	0.3mm ² Single strand	Red		POT solenoid valve
BKL23P_2	0.3mm ² Single strand	Black		
BKL24P_1	4*0.3mm ² Shield cable	Brown		X Encoder
BKL24P_2		Blue		
BKL24P_3		Purple		
BKL24P_4		Black		
BKL24P_5		shield		
BKL25P_1	4*0.5mm ² Shield cable	Black1		X Motor
BKL25P_2		Black2		
BKL25P_3		Black3		

BKL25P_4		Yellow & Green		
BKL26P_1	2*0.5mm ² Sheathed cable	Brown		Pump
BKL26P_2		Blue		
BKL26P_3	0.3mm ² Single strand	Red		
BKL26P_4	0.3mm ² Single strand	Black		
BKL26P_5	0.3mm ² Single strand	Black		
BKL26P_1	4*0.3mm ² Shield cable	Brown		
BKL26P_2		Black		
BKL26P_3		Blue		
BKL26P_4	0.3mm ² Single strand	Red		
BKL26P_5	0.3mm ² Single strand	Black		
BKL26P_6	0.3mm ² Single strand	Blue		
BKL26P_7	0.3mm ² Single strand	Blue		
BKL26P_8	0.3mm ² Single strand	Black		
BKL26P_9	0.3mm ² Single strand	Black		
BKL26P_10	0.3mm ² Single strand	Black		
BKL27P_1	0.75mm ² Single strand	Green		coil
BKL27P_2	0.75mm ² Single strand	Green		
BKL28P_1	2*0.5mm ² Sheathed cable	Brown		EMG Stop
BKL28P_2		Blue		
BKL29P_1	2*0.5mm ² Sheathed cable	Brown		Pause
BKL29P_2		Blue		
BKL30P_1	4*0.3mm ² Shield cable	Brown		AKI
BKL30P_2		Blue		

BKL30P_3		Black			
BKL30P_4		Purple			
BKL30P_5	4*0.3mm ² Shield cable	Brown			
BKL30P_6		Blue			
BKL30P_7		Black			
BKL30P_8		Purple			
BKL30P_9	0.3mm ² Single strand	Black			
BKL31P_1	Shield Ethernet cable	Brown			Control Box to PC
BKL31P_2		Brown&White			
BKL31P_3		Blue			
BKL31P_4		Blue&White			
BKL31P_5		Green			
BKL31P_6		Green&White			
BKL31P_7		orange			
BKL31P_8		orange@White			
BKL31P_9		shield			
BKL32P_1	8*0.14mm ² Shield cable	Red		hand controller	
BKL32P_2		Brown			
BKL32P_3		Green			
BKL32P_4		Blue			
BKL32P_5		Black			
BKL32P_6		Purple			
BKL32P_7		shield			
BKL33P_1	2*0.14 mm ² Sheathed cable			tubes	
BKL33P_2					

BK34P_1	2*0.14 mm ² Sheathed cable			tube
BK34P_2				
BKL35P_1	3*0.14 mm ² Sheathed cable			Receiving tube
BKL35P_2				
BKL35P_3				
BKL36P_1	3*0.14 mm ² Sheathed cable			Receiving tube
BKL36P_2				
BKL36P_3				
BKL37P_1	4*0.3 mm ² Shield cable	Black		Z1 Encoder
BKL37P_2		Purple		
BKL37P_3		Blue		
BKL37P_4		Brown		
BKL37P_5		shield		
BKL38P_1	4*0.3 mm ² Shield cable	Black		U1 Encoder
BKL38P_2		Purple		
BKL38P_3		Blue		
BKL38P_4		Brown		
BKL38P_5		shield		
BKL39P_1	4*0.3 mm ² Shield cable	Black		Z2 Encoder
BKL39P_2		Purple		
BKL39P_3		Blue		
BKL39P_4		Brown		
BKL39P_5		shield		
BKL40P_1	4*0.3 mm ² Shield cable	Black		U2 Encoder
BKL40P_2		Purple		
BKL40P_3		Blue		
BKL40P_4		Brown		

BKL40P_5		shield		
BKL41P_1	4*0.5 mm ² Sheathed Ribbon cable	Black1		Z1 Motor
BKL41P_2		Black2		
BKL41P_3		Black3		
BKL41P_4		Black7		U1 Motor
BKL41P_5		Black4		
BKL41P_6		Black5		
BKL41P_7		Black6		
BKL41P_8		Yellow &Green		
BKL42P_1		4*0.5 mm ² Sheathed Ribbon cable		Black1
BKL42P_2	Black2			
BKL42P_3	Black3			
BKL42P_4	Black7		U2 Motor	
BKL42P_5	Black4			
BKL42P_6	Black5			
BKL42P_7	Black6			
BKL42P_8	Yellow &Green			
BKL43P	24 芯 2.54Ribbon cable	Gray		A Board to Control Interface Board
BKL44P	24 芯 2.54Ribbon cable	Gray		

