

PK1209 电器箱布局及接线图

PK1209 electrical box layout and wiring diagram

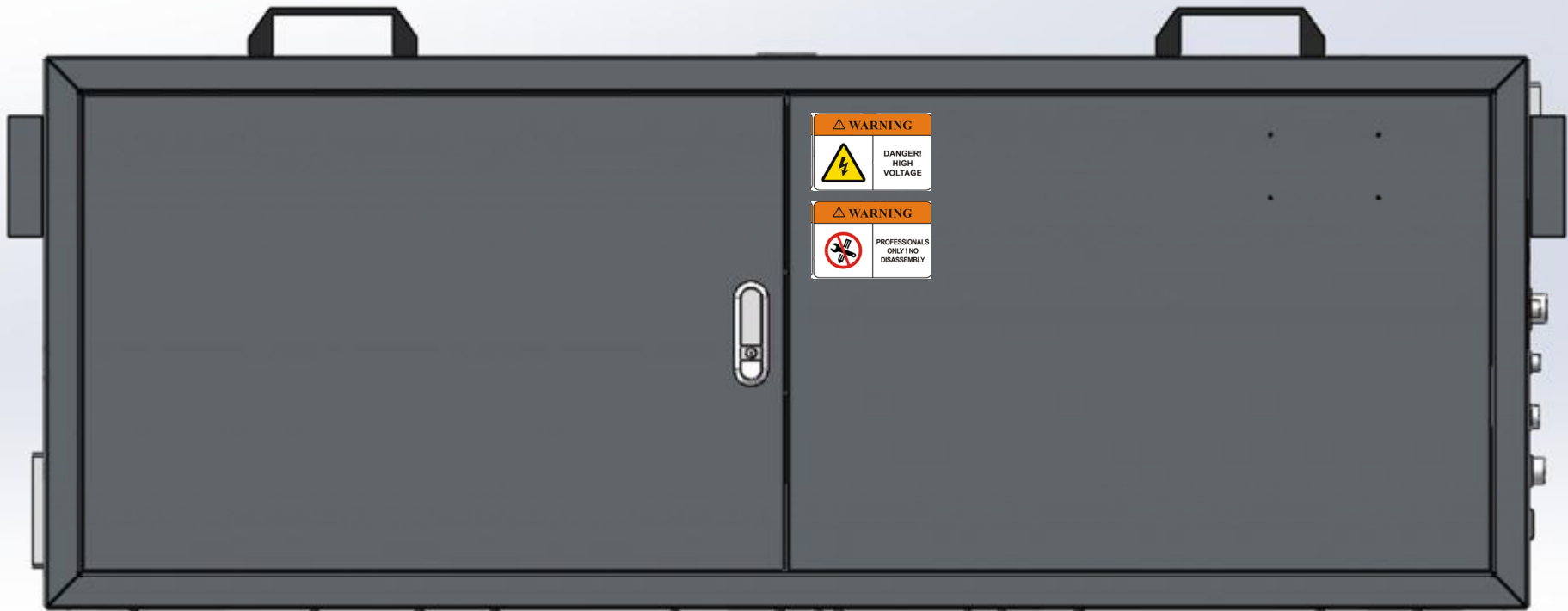
文件编号：ZB.01.PK1209.10.002

文件版本：2.2

设计：毛海民 日期：20210619

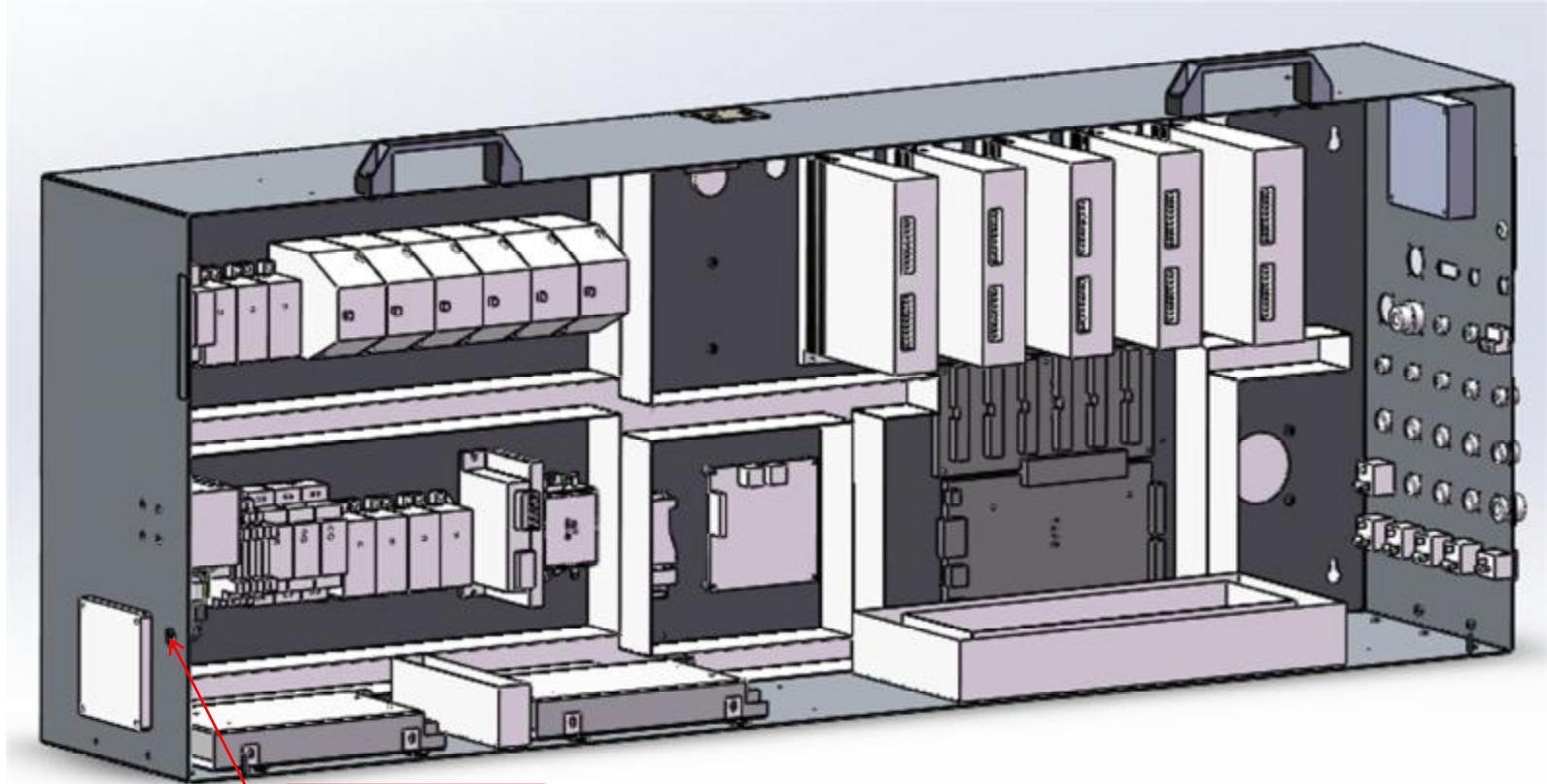
审核：伍郁杰 日期：20210619

批准：陈 昊 日期：20210619



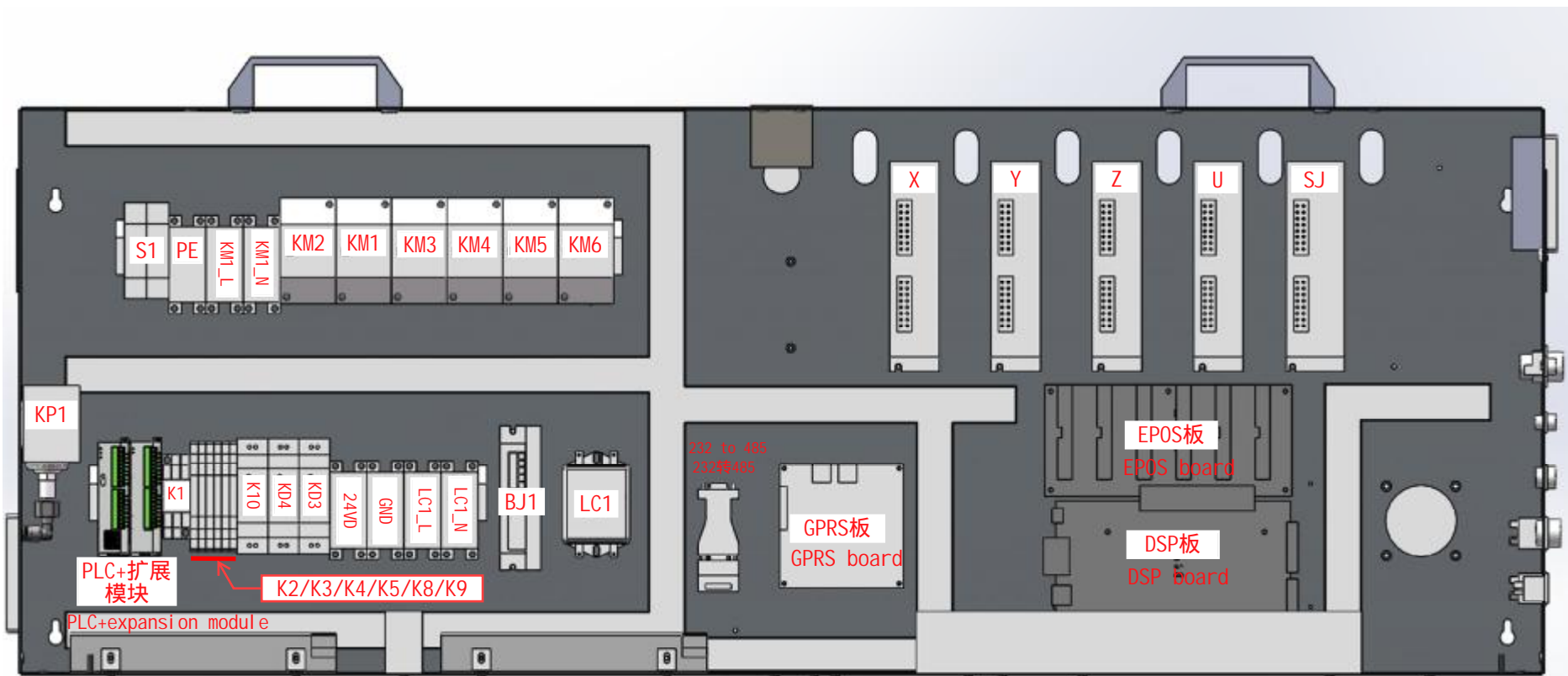
⚠ WARNING
DANGER! HIGH VOLTAGE

⚠ WARNING
PROFESSIONALS ONLY! NO DISASSEMBLY



KP1 气路

KP1 gas circuit

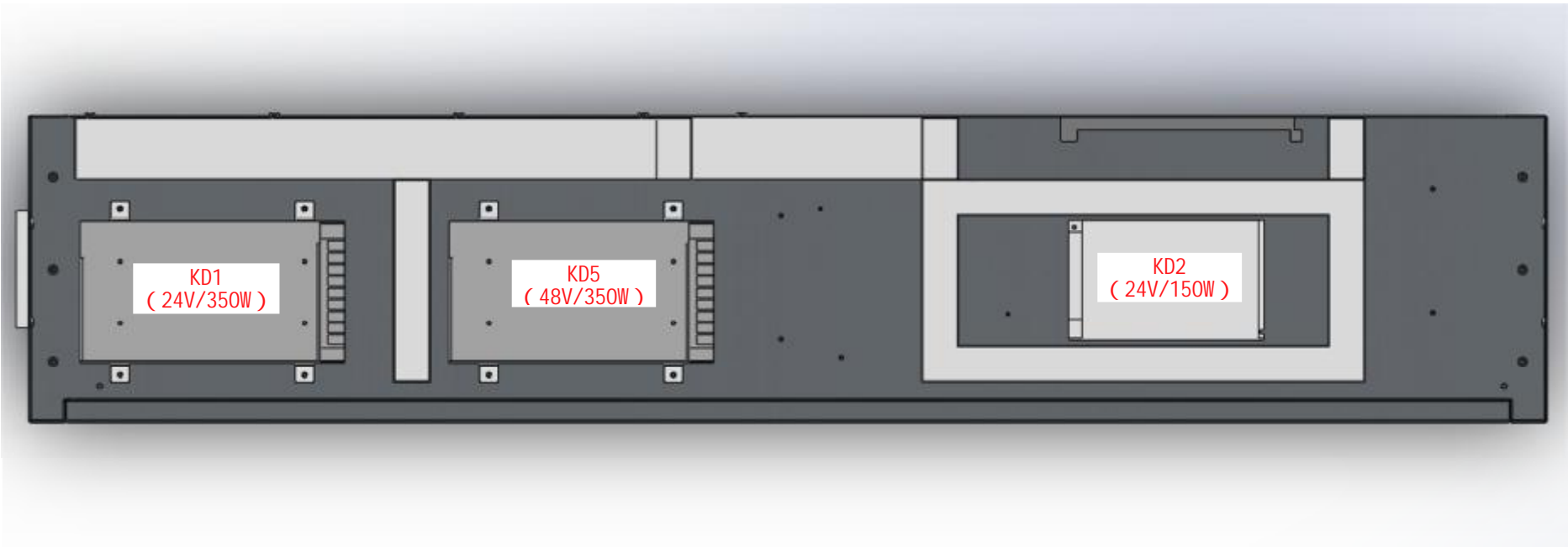


Remarks: K2-K5 are HF41F-024-ZS 41F-1Z-C2-1 24VDC

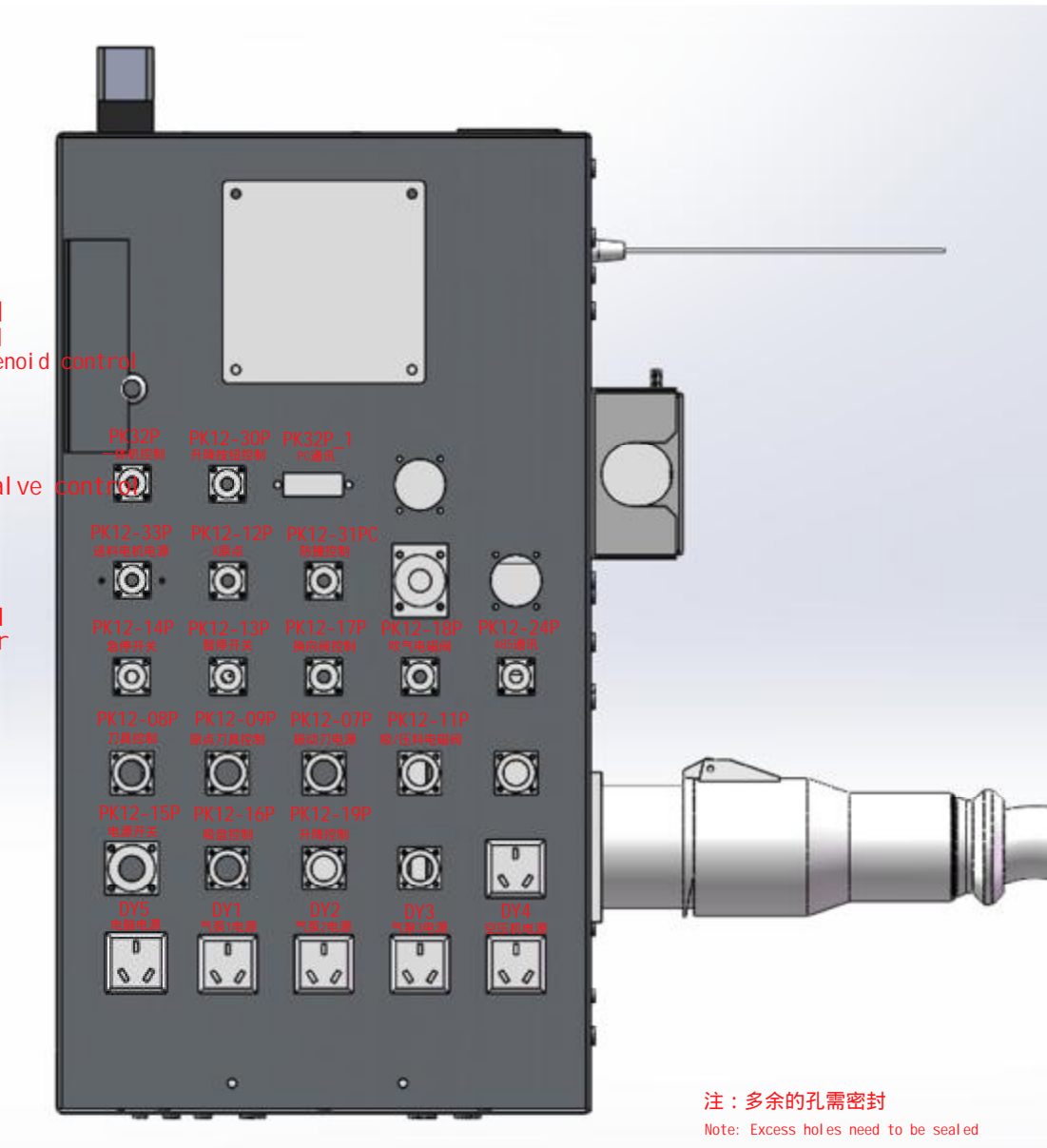
备注：K2-K5 为HF41F-024-ZS 41F-1Z-C2-1 24VDC

备注：K8、K9为HF41F-012-ZS 41F-1Z-C2-1 12VDC

Remarks: K8 and K9 are HF41F-012-ZS 41F-1Z-C2-1 12VDC

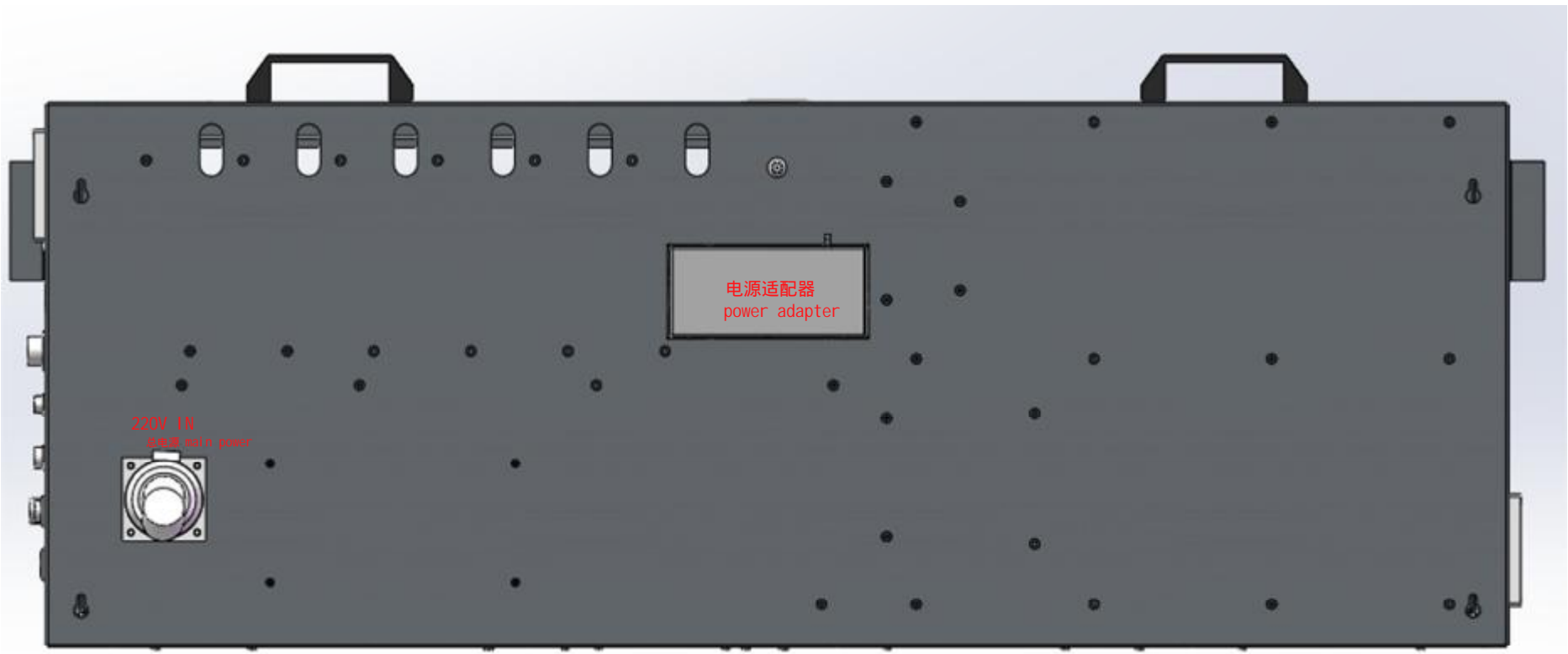


- PK12-07P: 振动刀电源 EOT power
- PK12-08P : 刀具控制 cutting tool control
- PK12-09P : 原点刀具控制 origin tool control
- PK12-11P : 吸/压电磁阀 suction/ pressing solenoid control
- PK12-12P : X原点 X origin
- PK12-13P : 暂停开关 pause button
- PK12-14P : 急停开关 emergency button
- PK12-15P : 电源开关 power switch
- PK12-17P : 换向阀控制 reversing solenoid valve control
- PK12-18P: 吹气电磁阀 blow solenoid valve
- PK12-19P : 升降控制 lifting control
- PK12-24P : 485通讯 485 communication
- PK12-30P : 升降按钮控制 lift button control
- PK12-31PC : 防撞控制 anti-collision control
- PK12-33P : 送料电机电源 feeding motor power
- PK32P : 一体机控制 all-in-one control
- PK32P_1 : PC通讯 PC communication
- DY1 : 气泵1电源 air pump 1 power
- DY2 : 气泵2电源 air pump 2 power
- DY3 : 气泵3电源 air pump 3 power
- DY4 : 空压机电源 air compressor power
- DY5 : 备用电源 backup power



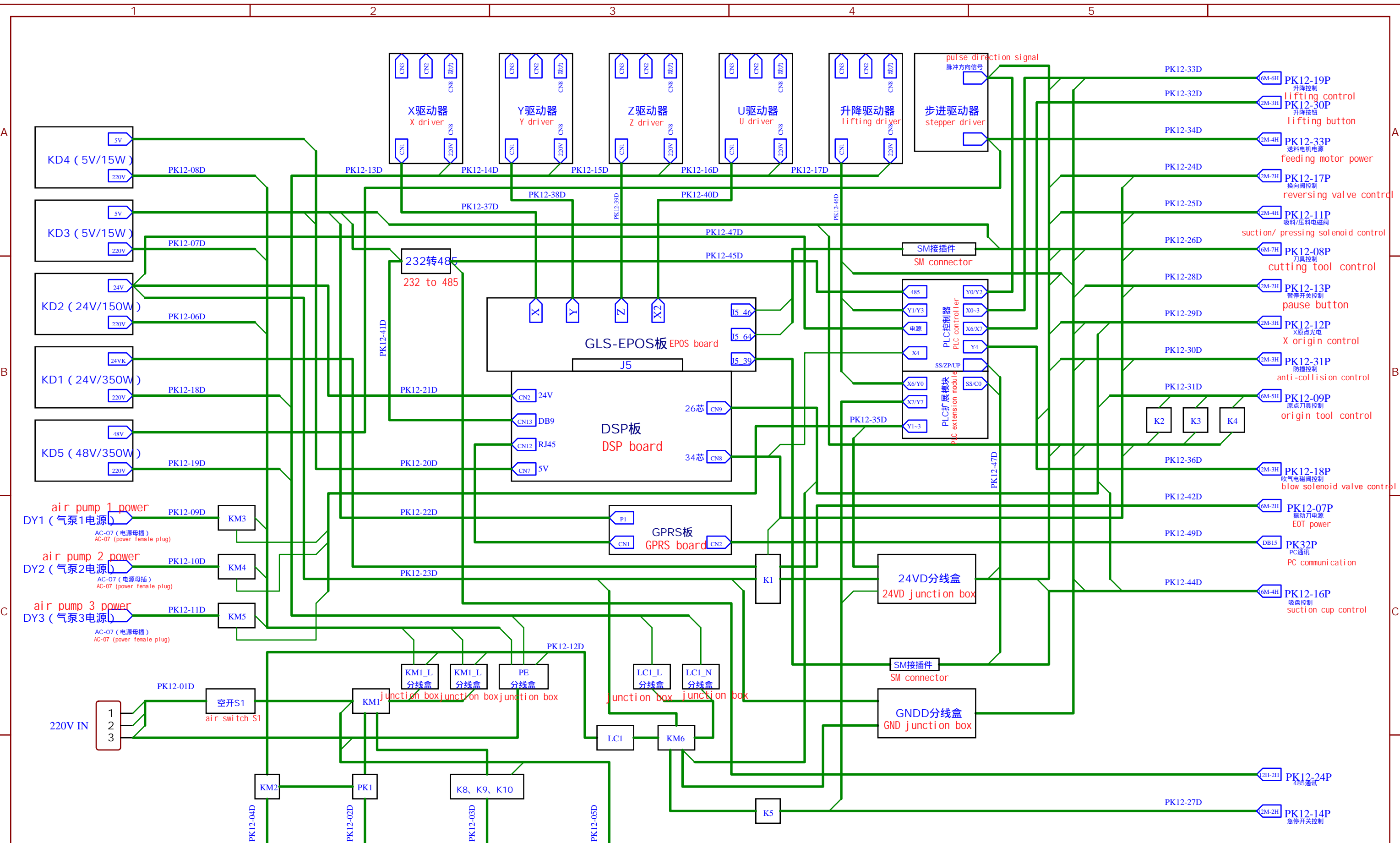
20210619修改了标识

注：多余的孔需密封
Note: Excess holes need to be sealed



电源适配器
power adapter

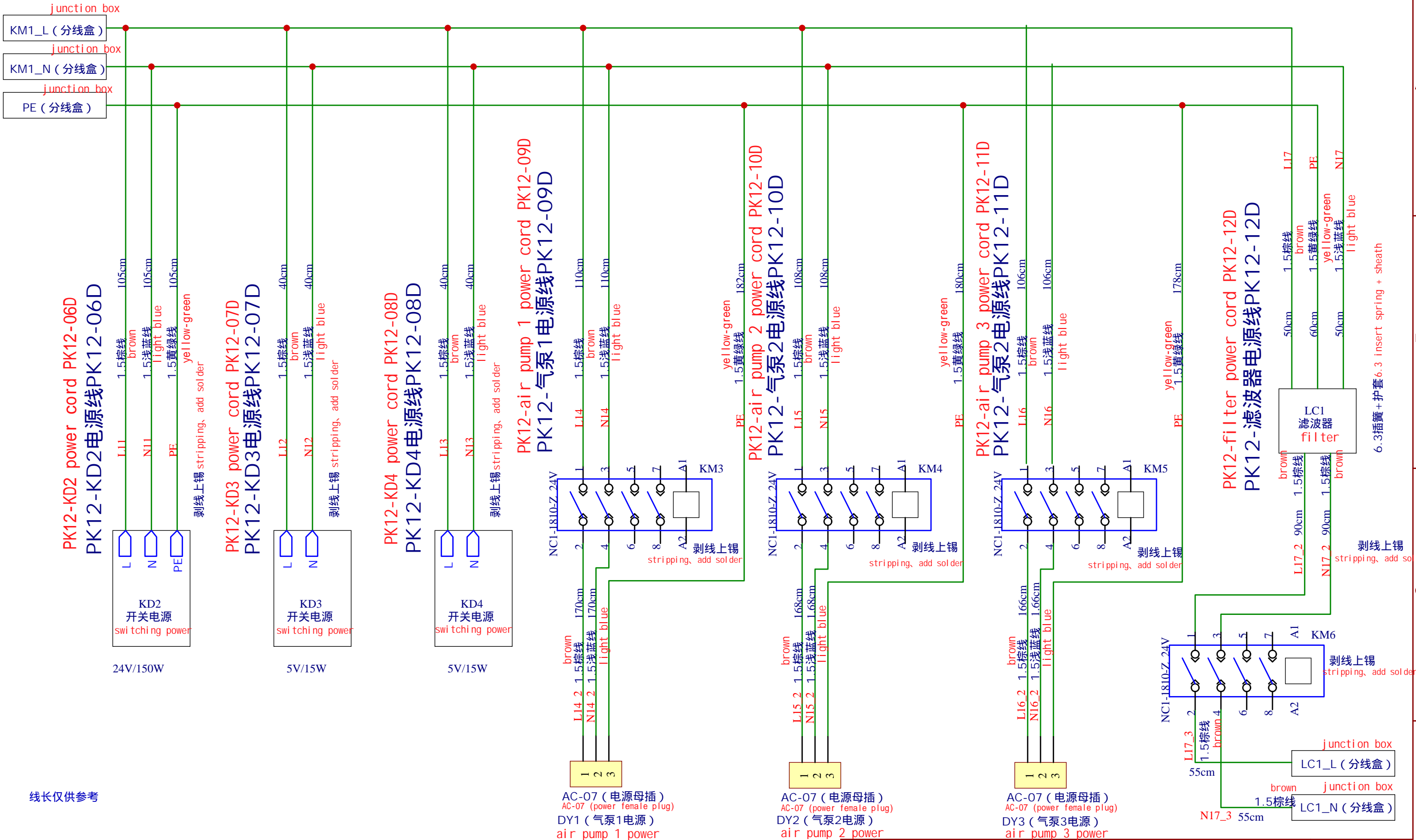
220V IN
220V main power



20210616删除KM2,把04D接至分线盒

air compressor power DY4 (空压机电源) AC-07 (电源母插) AC-07 (power female plug)
 switching power PK12-15P (电源开关) 19M-3H
 all-in-one signal PK32P (一体机信号) 12M-4H
 backup power DY5 (电脑电源) AC-07 (电源母插) AC-07 (power female plug)

TITLE: PK1209电器箱接线总图		REV: 2.0
Company: 杭州爱科科技股份有限公司		Sheet: 1/13
Date: 2021-06-02		Drawn By: 毛海民



线长仅供参考

TITLE: PK1209电器箱220V接线图二		REV: 2.0
Company: 杭州爱科科技股份有限公司		Sheet: 3/13
Date: 2021-06-02		Drawn By: 毛海民

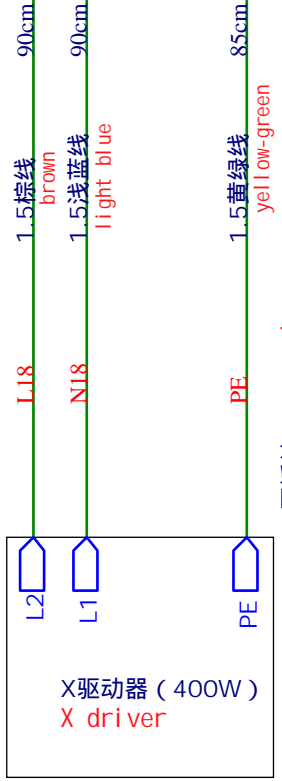


LC1_L (分线盒)
junction box

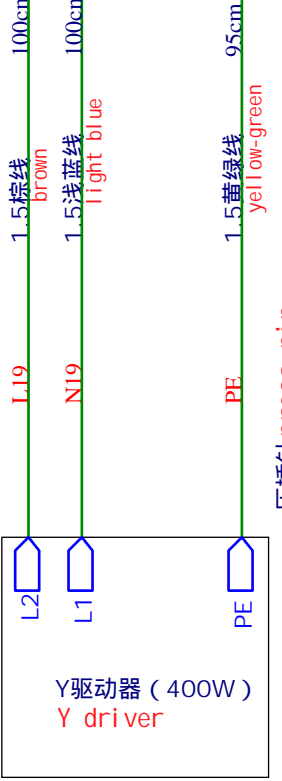
LC1_N (分线盒)
junction box

PE (分线盒)
junction box
剥线上锡
stripping, add solder

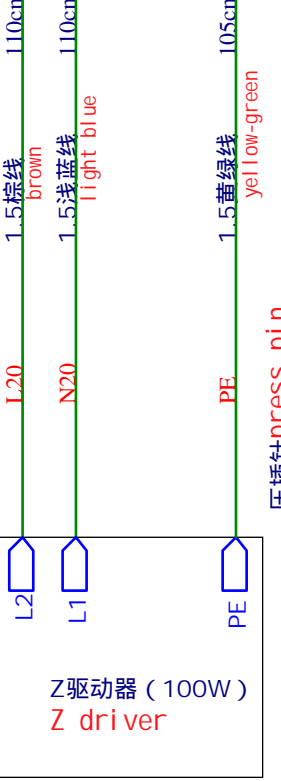
PK12-X drive power cord PK12-13D
PK12-X驱动器电源线PK12-13D



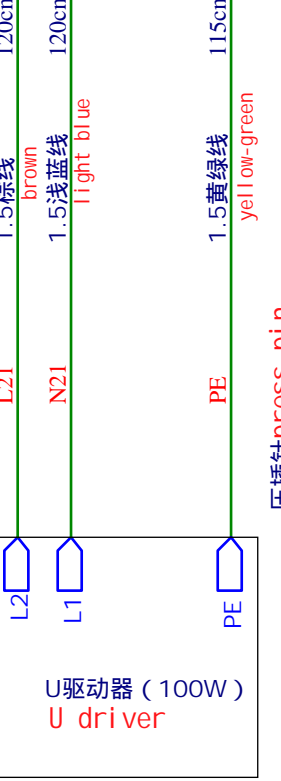
PK12-Y drive power cord PK12-14D
PK12-Y驱动器电源线PK12-14D



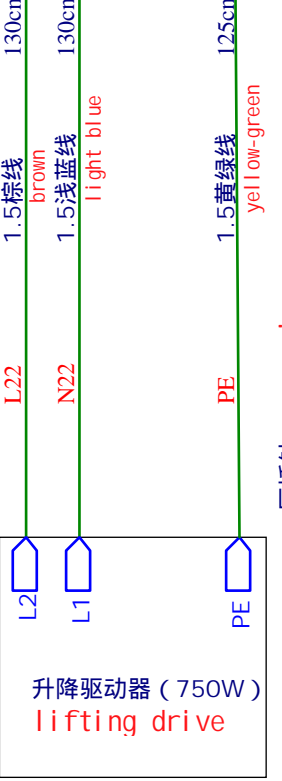
PK12-Z drive power cord PK12-15D
PK12-Z驱动器电源线PK12-15D



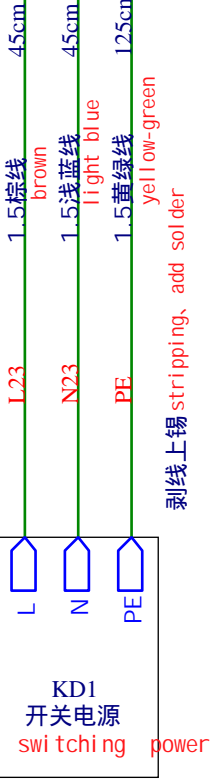
PK12-U drive power cord PK12-16D
PK12-U驱动器电源线PK12-16D



PK12-lifting drive power cord PK12-17D
PK12-升降驱动器电源线PK12-17D



PK12-KD1 power cord PK12-18D
PK12-KD1电源线PK12-18D



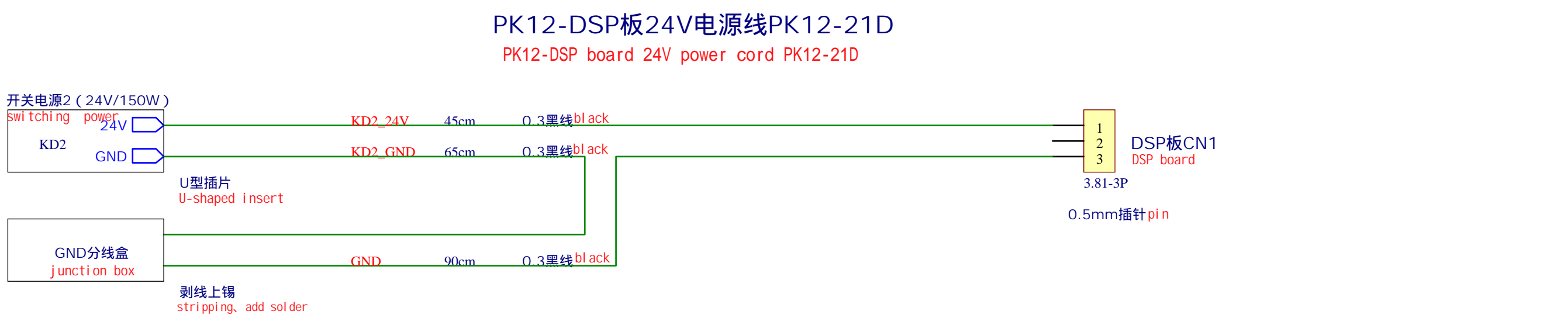
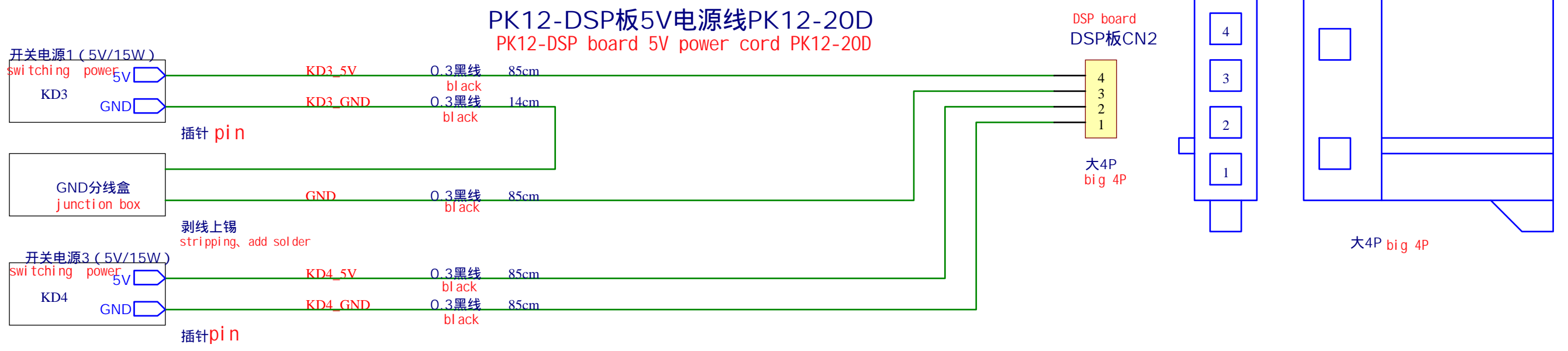
PK12-KD5 power cord PK12-19D
PK12-KD5电源线PK12-19D



LRS-350-24 (24V/350W) LRS-350-48 (48V/350W)

线长仅供参考

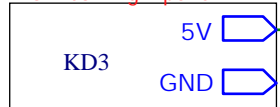
TITLE: PK1209电器箱220V接线图三		REV: 2.0
	Company: 杭州爱科科技股份有限公司	Sheet: 4/13
	Date: 2021-06-02 Drawn By: 毛海民	



线长仅供参考

TITLE: PK1209电器箱DSP板电源接线图		REV: 2.0
	Company: 杭州爱科科技股份有限公司	Sheet: 5/13
	Date: 2021-06-02 Drawn By: 毛海民	

开关电源1 (5V/15W)
switching power



插针
pin

GND分线盒
junction box

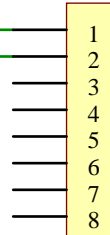
剥线上锡
stripping, add solder

PK12-GPRS板电源线PK12-22D

PK12-GPRS board power cord PK12-22D

KD3_5V 95cm 0.3黑线
black

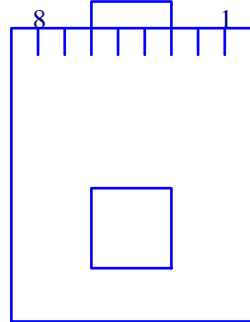
GND 90cm 0.3黑线
black



GPRS板P1
GPRS board

0.5mm插针 pin

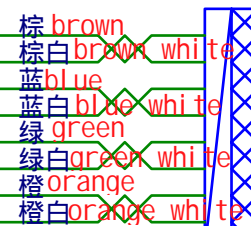
DSP板CN3
DSP board



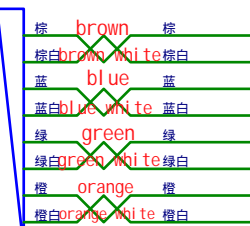
水晶头
crystal head

PK12-GPRS板CN1通讯线PK12-48D

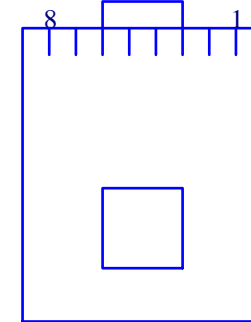
PK12-GPRS board CN1 communication line PK12-48D



高柔网线 25cm
high flexible network cable

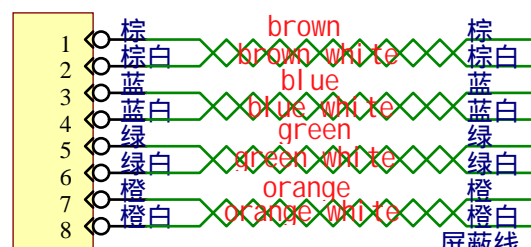


DSP board
GPRS板CN4

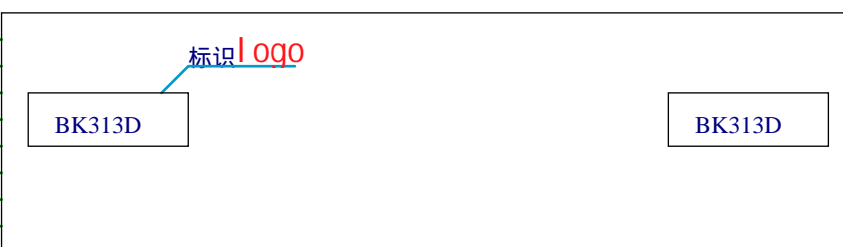


PK12-GPRS板CN2通讯线PK12-49D

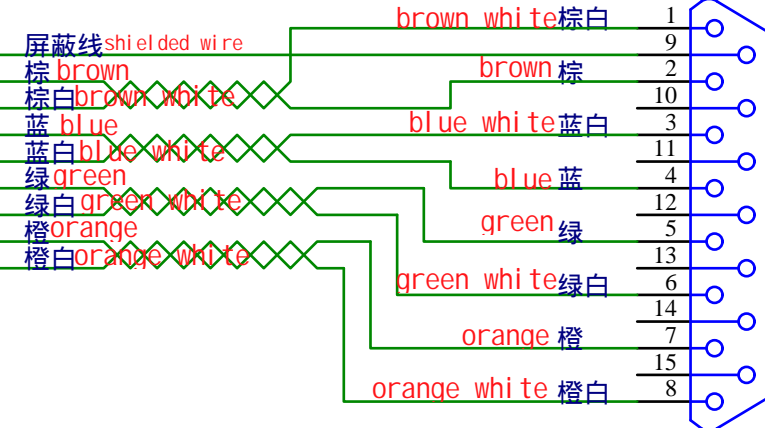
PK12-GPRS board CN2 communication line PK12-49D



水晶头
crystal head
GPRS板CN3
GPRS board

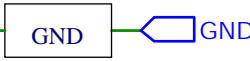


高柔网线 90cm
high flexible network cable



外接 external
DB15 (公头) + 英制铜柱
DB15 (male) + British copper column

焊点用热缩管收缩 68CM, 0.3黑线 44cm
Shrinking of heat shrinkable tubing for solder joints black



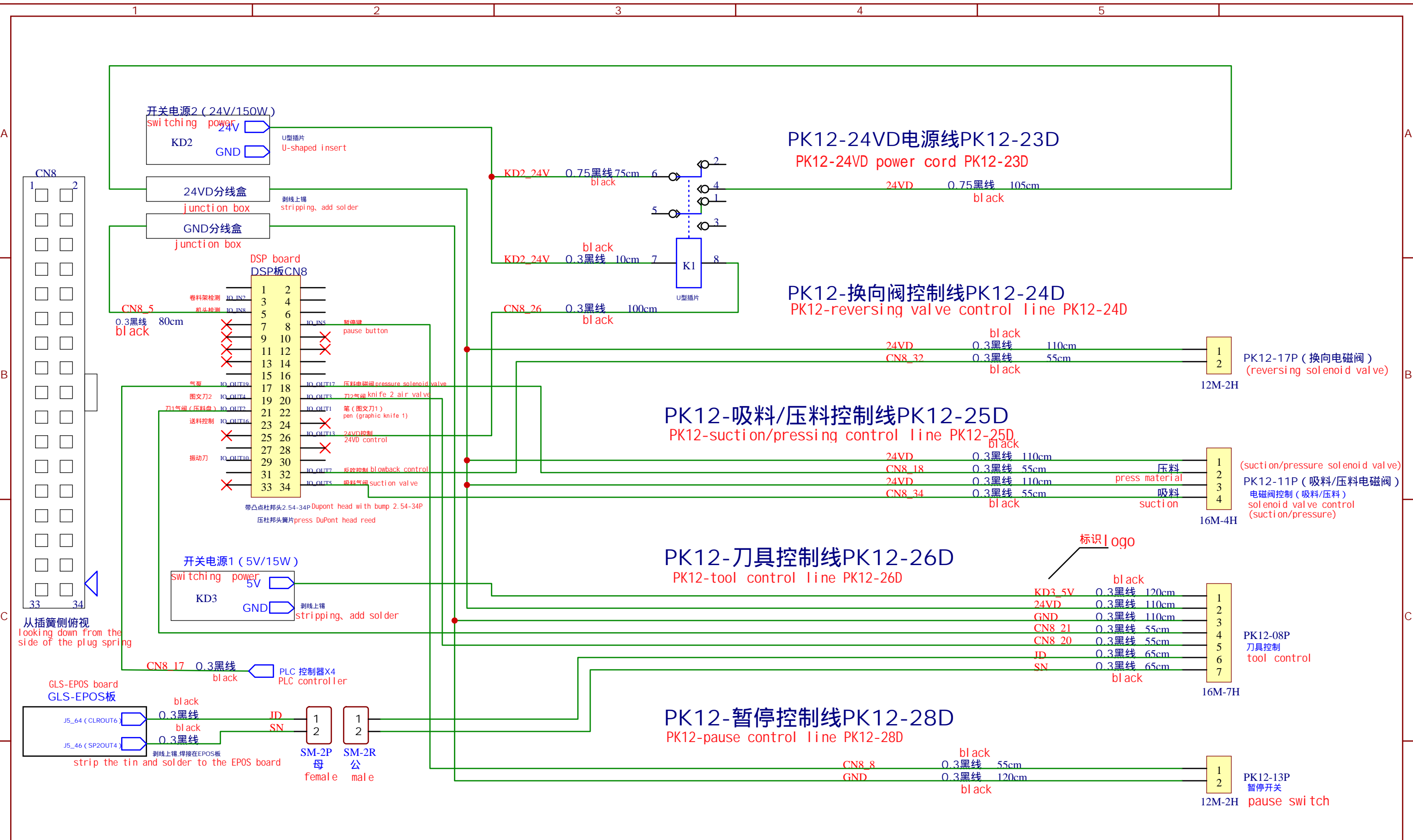
剥线上锡
stripping, add solder

注: 线长仅供参考, 线两端做好标识

线长仅供参考

TITLE: PK1209电器箱GPRS板接线图		REV: 2.0
Company: 杭州爱科科技股份有限公司		Sheet: 6/13
Date: 2021-06-02		Drawn By: 毛海民



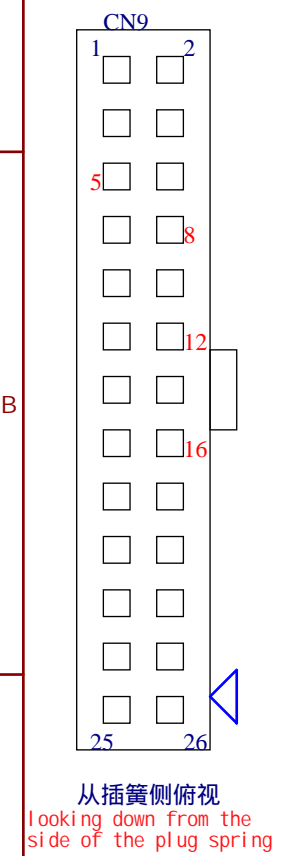
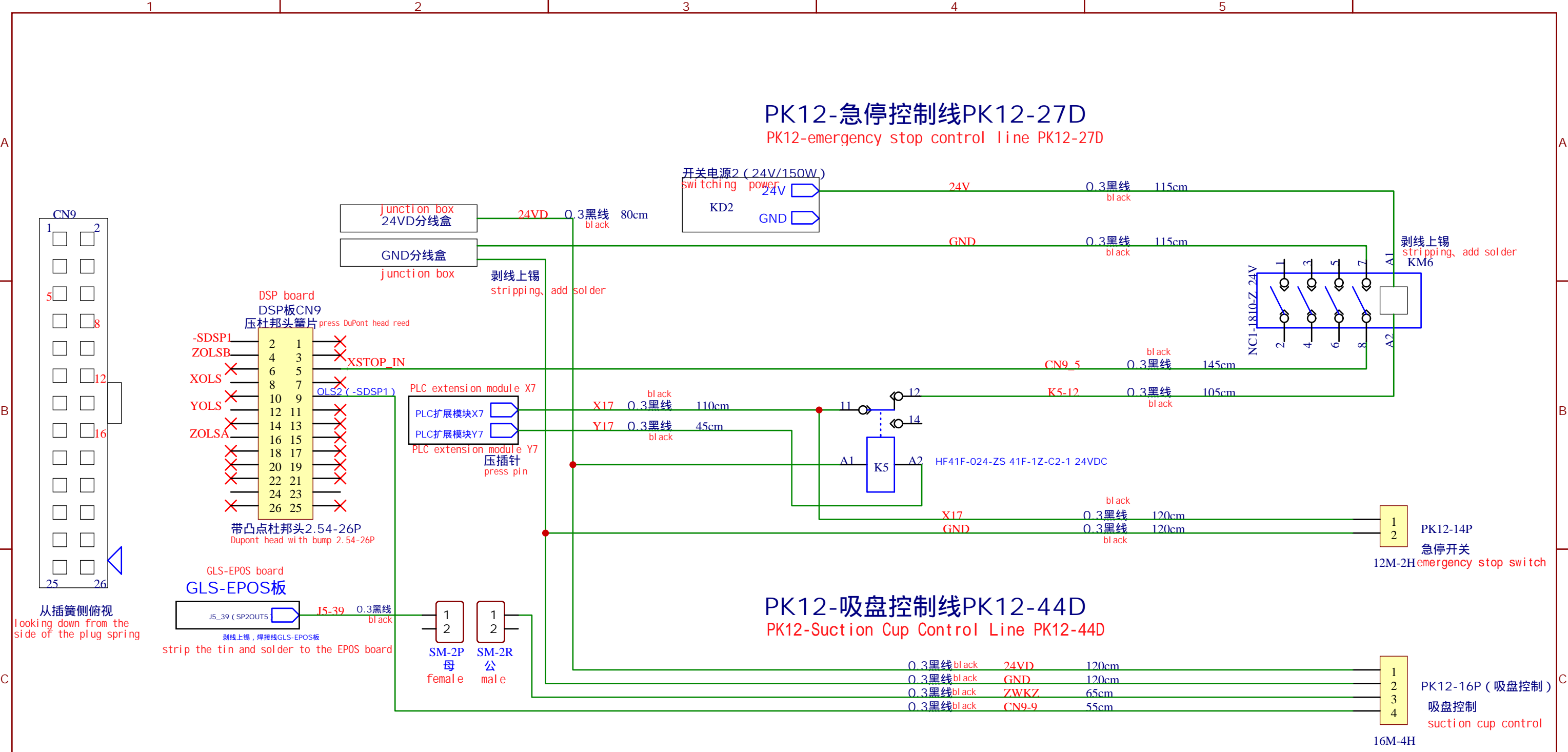


线长仅供参考

TITLE: PK1209电器箱DSP板CN8接线图		REV: 2.0
	Company: 杭州爱科科技股份有限公司	Sheet: 7/13
	Date: 2021-06-02	Drawn By: 毛海民

PK12-急停控制线PK12-27D

PK12-emergency stop control line PK12-27D



线长仅供参考

TITLE: PK1209电器箱DSP板CN9接线图		REV: 2.0
Company: 杭州爱科科技股份有限公司		Sheet: 8/13
Date: 2021-06-02		Drawn By: 毛海民

PK12-X原点控制线PK12-29D

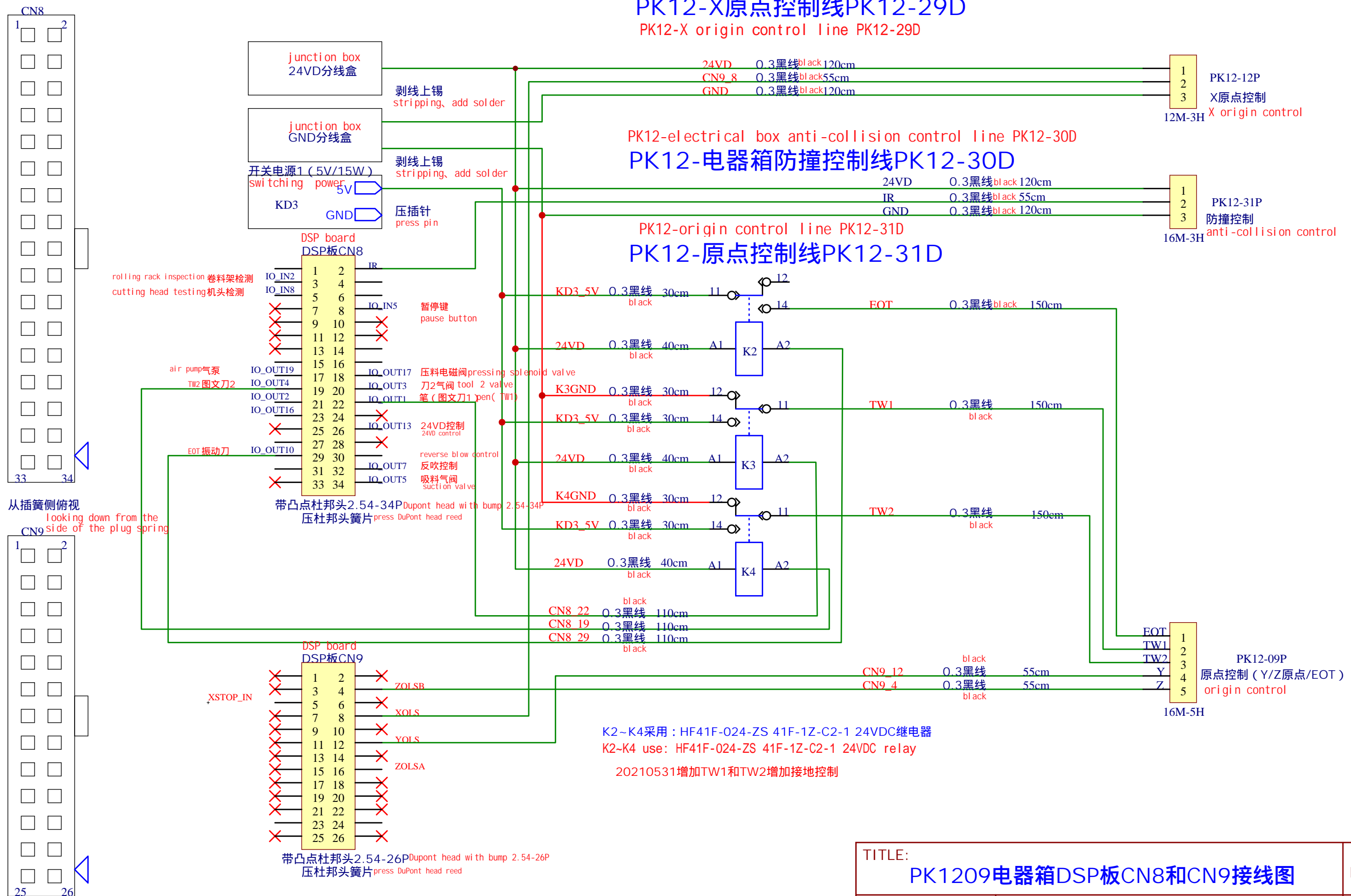
PK12-X origin control line PK12-29D

PK12-电器箱防撞控制线PK12-30D

PK12-electrical box anti-collision control line PK12-30D

PK12-原点控制线PK12-31D

PK12-origin control line PK12-31D



K2~K4采用 : HF41F-024-ZS 41F-1Z-C2-1 24VDC继电器

K2~K4 use: HF41F-024-ZS 41F-1Z-C2-1 24VDC relay

20210531增加TW1和TW2增加接地控制

TITLE: PK1209电器箱DSP板CN8和CN9接线图		REV: 2.0
Company: 杭州爱科科技股份有限公司		Sheet: 9/13
Date: 2021-06-02		Drawn By: 毛海民

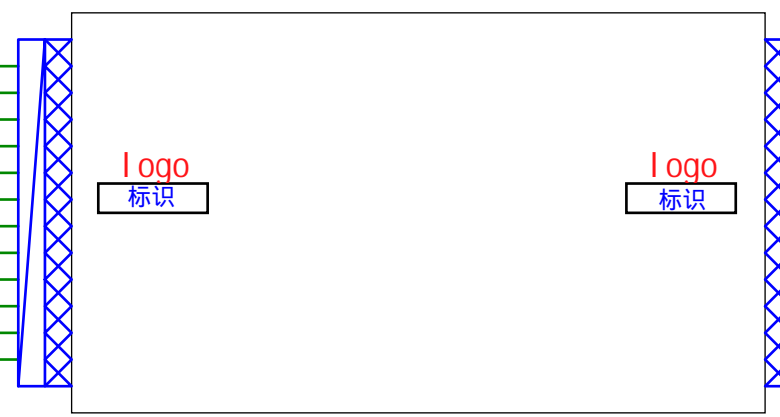
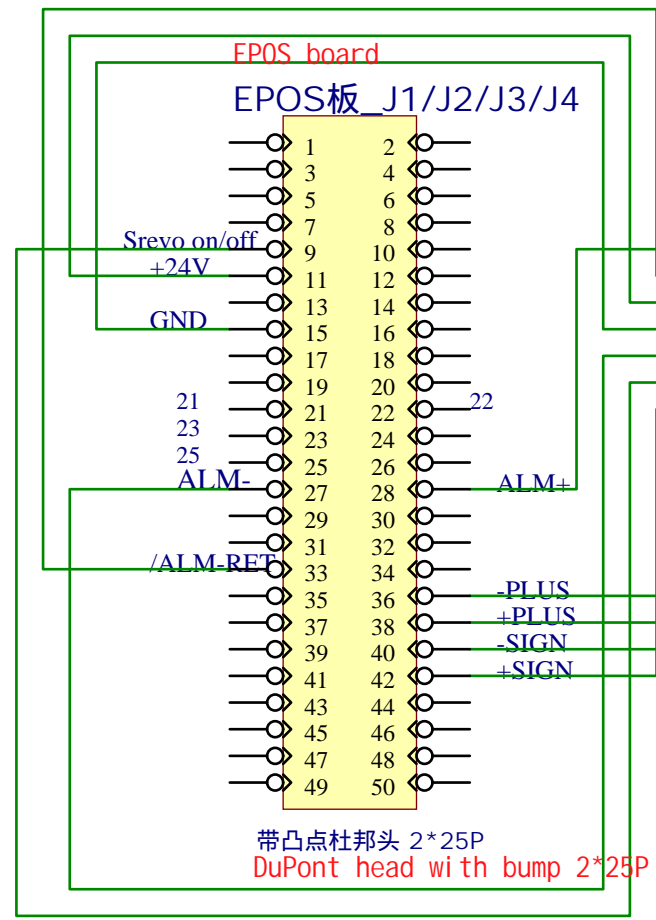
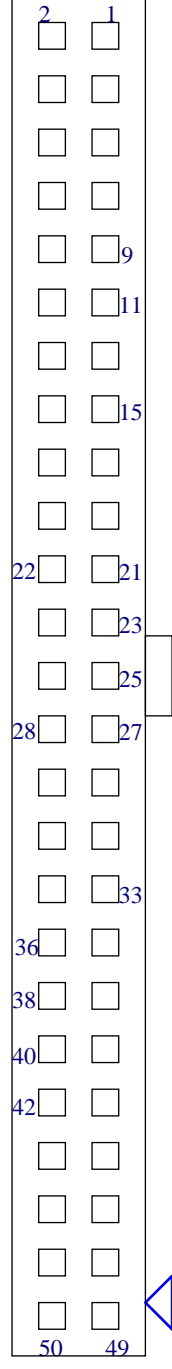
从插簧侧俯视
Looking down from the side of the plug spring

线长仅供参考

PK-X/Y/Z/U driver control cable -PK37D/38D/39D/40D
 PK12-X驱动器控制线PK12-37D (线长: 65CM)
 PK12-Y驱动器控制线PK12-38D (线长: 60CM)
 PK12-Z驱动器控制线PK12-39D (线长: 40CM)
 PK12-U驱动器控制线PK12-40D (线长: 45CM)

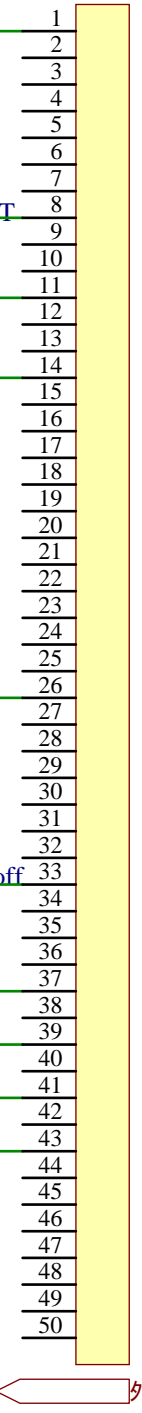
注: 请注意脚位

EPOS board
 EPOS板 J1/J2/J3/J4



CF881.02.12 (外协采用10*0.25屏蔽线屏蔽层在85%以上)
 CF881.02.12 (10*0.25 shielded wire used by outsiders, the shielding layer is above 85%)

屏蔽线
 shielded wire



汇川驱动器
 Hui chuan Driver

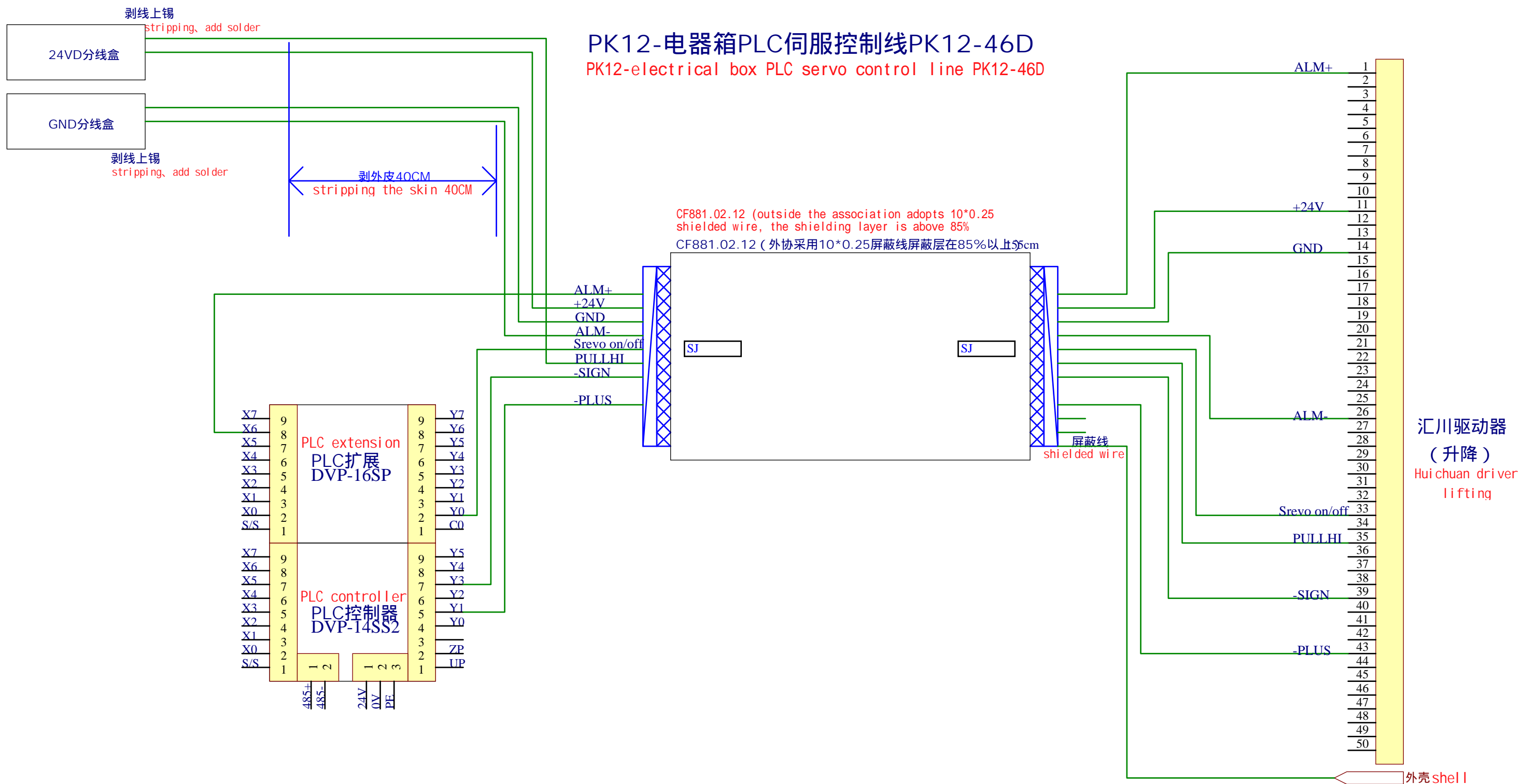
20210531修改EPOS板侧按GLS机型接线
 线长仅供参考

从插簧侧俯视
 Looking down from the side of the plug spring

TITLE: PK12电器箱驱动器控制线接线图		REV: 2.0
	Company: 杭州爱科科技股份有限公司	Sheet: 11/13
	Date: 2021-06-02	Drawn By: 毛海民

PK12-电器箱PLC伺服控制线PK12-46D

PK12-electrical box PLC servo control line PK12-46D



线长仅供参考

TITLE: PK1209电器箱升降电机伺服控制线接线图		REV: 2.0
	Company: 杭州爱科科技股份有限公司	Sheet: 13/13
	Date: 2021-06-02	Drawn By: 毛海民